

Mechanical Engineering Sheet metal Design Portfolio

Vikesh Singh (Polytechnic Mechanical Engineering, B.Technology Mechanical Engineering,)

INDEX

Machine Design Components

Bench vice
Connecting Rod
Plumber Block
V Block

Industrial Projects:

Sports Camera Enclosure
Mini Monitor Enclosure
Hub Enclosure in Sheet metal
Layout for sport Ground

Miscellaneous

Welcome, and thank you for taking the time to view my portfolio.

The Goal of this portfolio is to give you a deeper insight into my experiences and skills I have gained over my recent history.

It is my hope that this will allow you to better assess how my skills can be applied to your company.

I would be happy to talk in more detail and can be reached using the contact information at the bottom of this page

ABOUT ME

Performance delivering design engineer, passionate about designing, proficient in CAD modelling and Drafting with 2.5 year experience in designing Sports camera enclosure in Autodesk Inventor as a Mechanical engineer at miSport manufacturing Pvt. Ltd . Demonstrated ability to work as a team in multiple deadline bound projects. Iam driven by the desire to gain knowledge and work hard to achieve the desired goals. Completed B.Tech in Mechanical Engineering.
Available for relocation

Objective: Seeking for the position as a Design Engineer within an organization that progresses dynamically and provides me an opportunity to enhance my skills and update my knowledge.

Core Competencies

- 2.5 year experience in designing in Autodesk Inventor as a Junior Mechanical Engineer at miSport manufacturing Pvt. Ltd.
- Proficient in the use of **Solid works, Auto Cad, Catia, Autodesk Inventor** and **Drafting Techniques**.
- Proficient Knowledge of manufacturing processes and Technologies.

Education and Qualifications

2010-13 Uttarakhand Board Of Technical Education, Roorkee (Polytechnic Diploma In Mechanical Engineering)

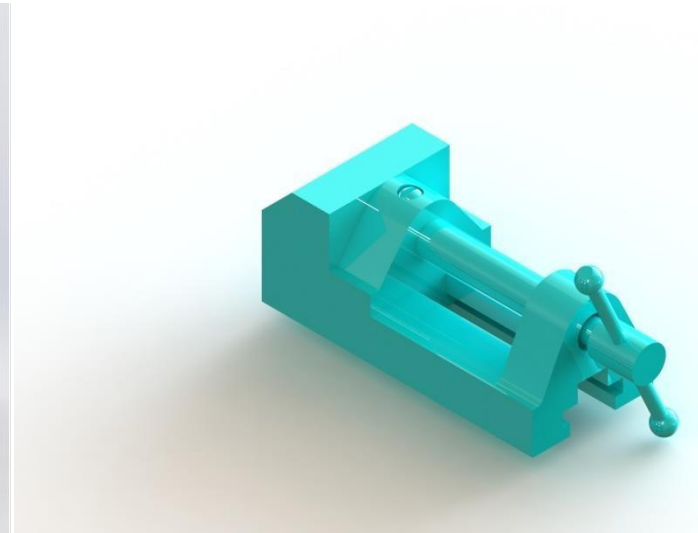
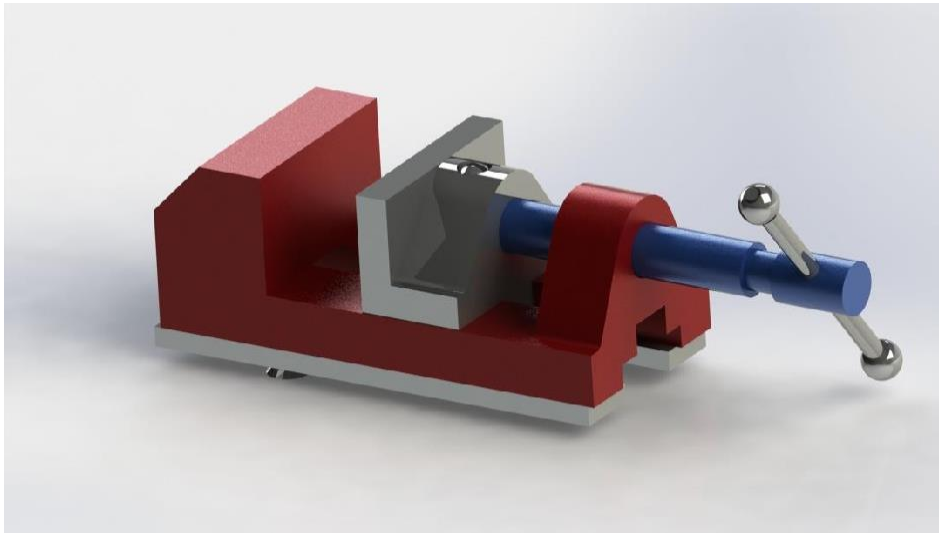
2013-16 Uttarakhand Technical University, India (Btech in Mechanical Engineering)

CAD/CAM, CAD Lab(Solid works, Inventor, Catia), FEA(finite element analysis), Design of Machine elements, Engineering Drawing, Machine Drawing, Production Drawing, Product Design and Process Planning, Manufacturing Processes, Mechanics of Materials, Automotive Engineering.

Bench Vice

Project Title:-The Benh Vice

Aim:-To design and analyze the Bench Vice



Above is the rendered model of Connecting Rod designed in Solidworks

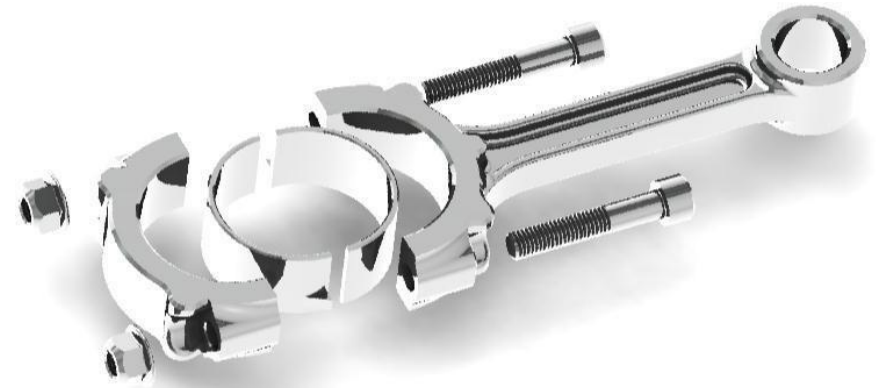
Connecting Rod

Project Title:-The Automotive Connecting Rod

Aim:-To design and analyze the Automotive Connecting Rod

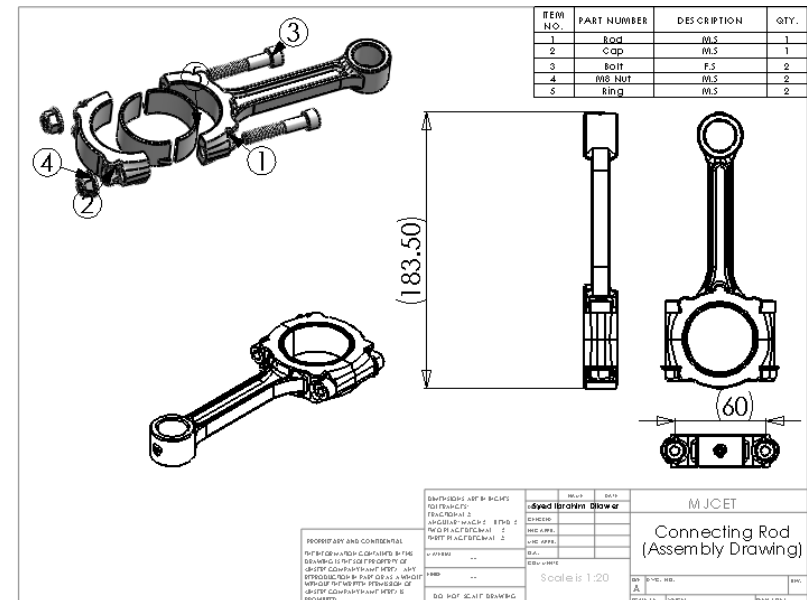


Above is the rendered model of Connecting Rod designed in Solidworks



Result:-

Successfully designed the Connecting Rod with the help of solid works CAD software with all the drawings of parts and assemblies



Above is the Universal joint with exploded view, isometric view and three standard views shown in the Drawing sheet in Solidworks CAD software

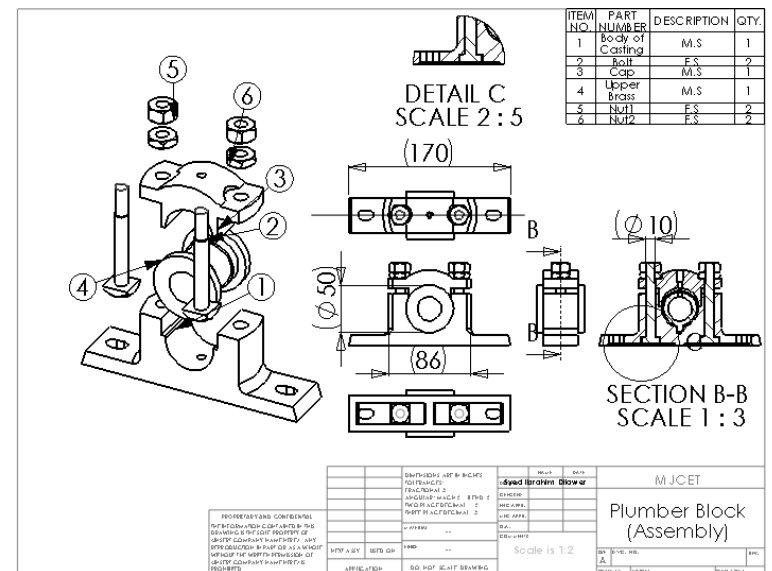
Plumber Block

Project Title:-Plumber Block

Aim:-To design and analyze the Plumber Block



Above is the rendered model of Plumber Block Assembly designed in Solidworks



Result:-

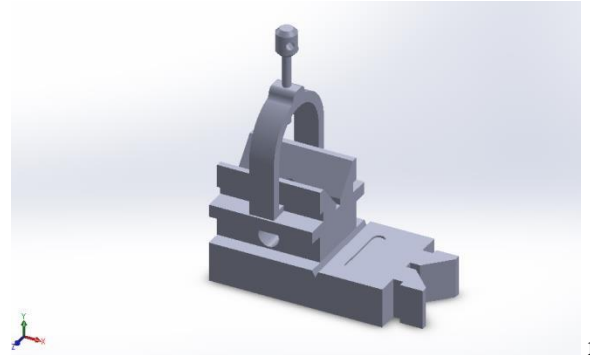
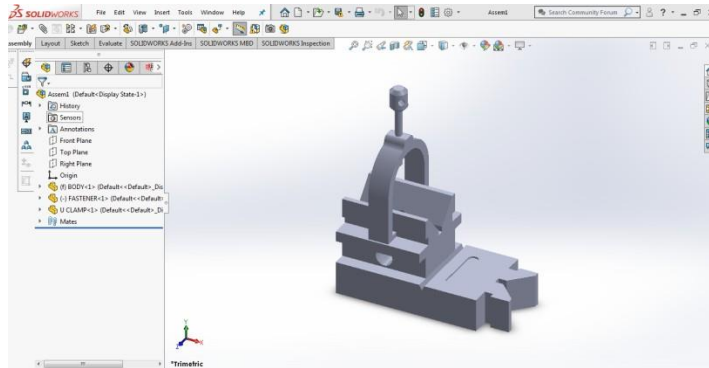
Successfully designed the Plumber Block with the help of solid works CAD software with all the drawings of parts and assemblies

Above is the Plumber Block with exploded view, isometric view and three standard views shown in the Drawing sheet in Solidworks CAD software

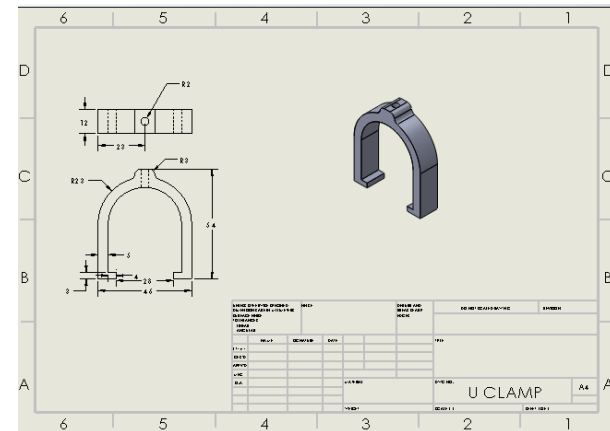
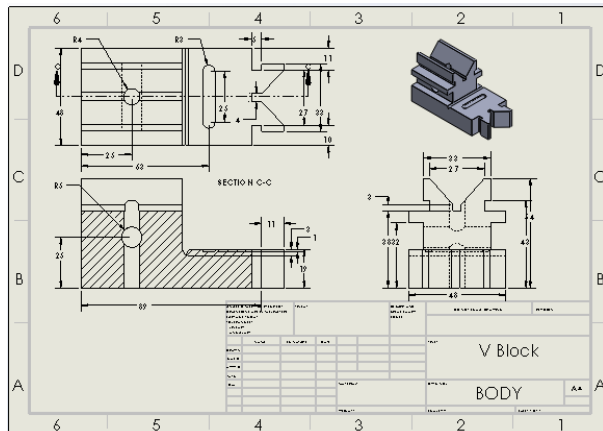
V Block

Project Title:-V Block

Aim:-To design and analyze the V block



Above is the rendered model of Plumber Block Assembly designed in Solidworks

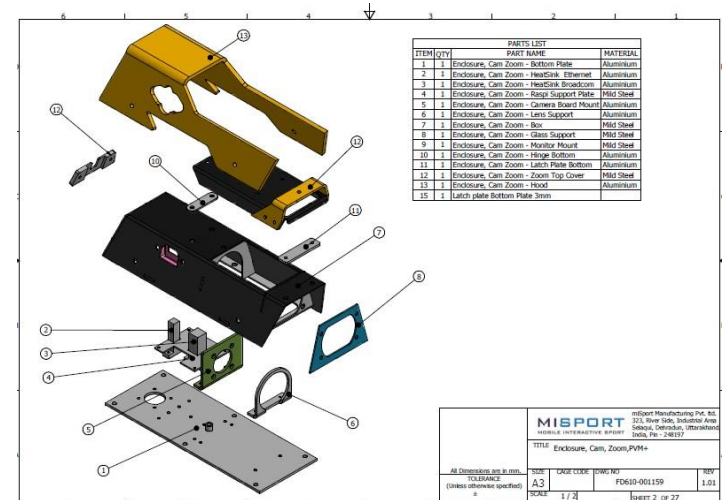
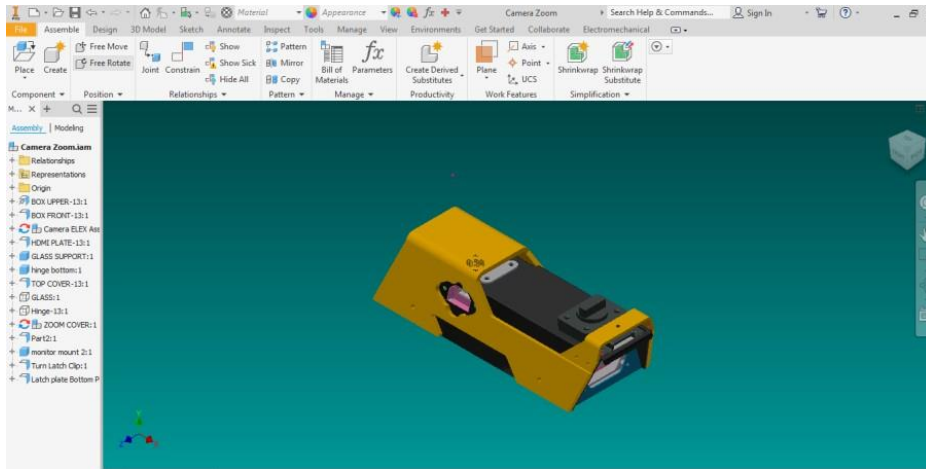


Above is the drafting of V Block Assembly designed in Solid works.

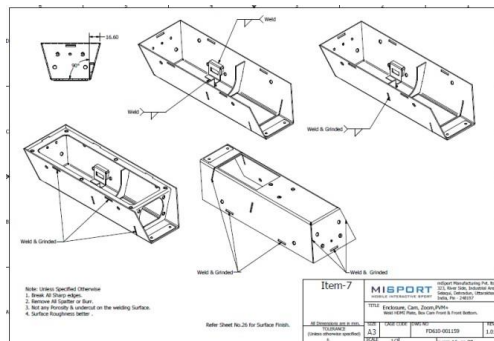
Sports Camera Enclosure

Project Title:-Sports camera

Aim:-To design and analyze the Sports camera



Above is the rendered model of Camera Enclosure Assembly designed in Autodesk Inventor

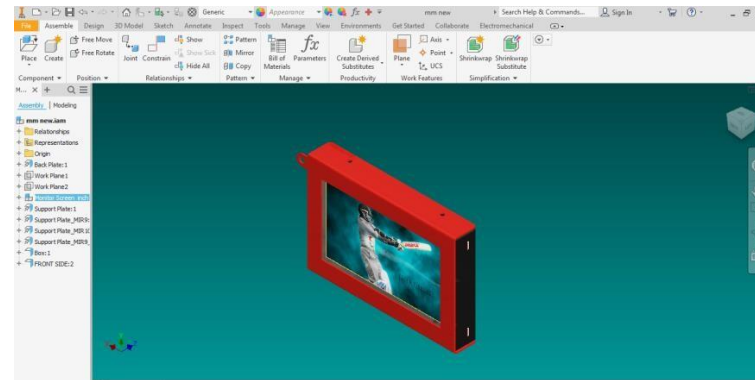
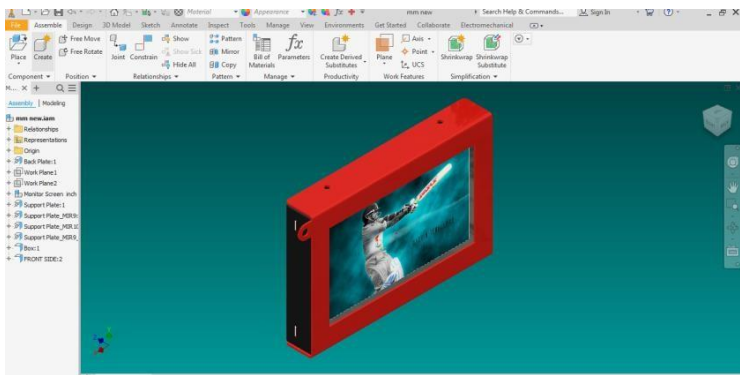


Above is the model of Camera Enclosure Assembly designed in Autodesk Inventor show welding process for fabrication .

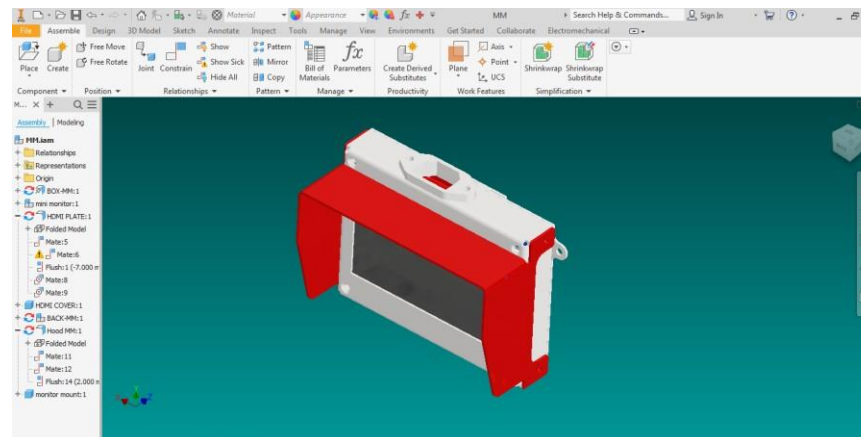
Mini Monitor Enclosure

Project Title:-Mini monitor

Aim:-To design and analyze the Sports camera



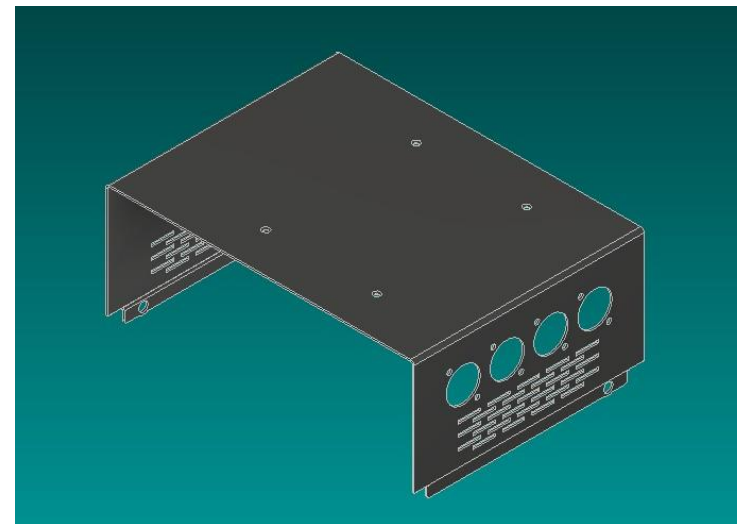
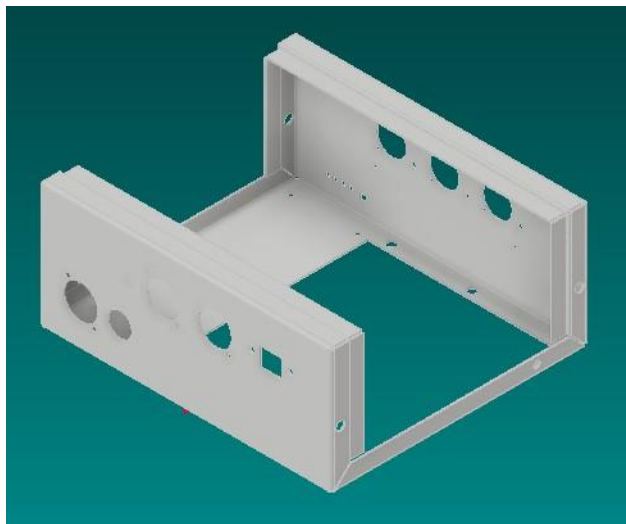
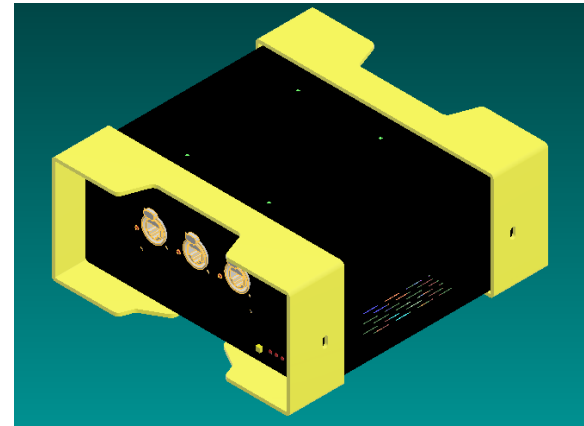
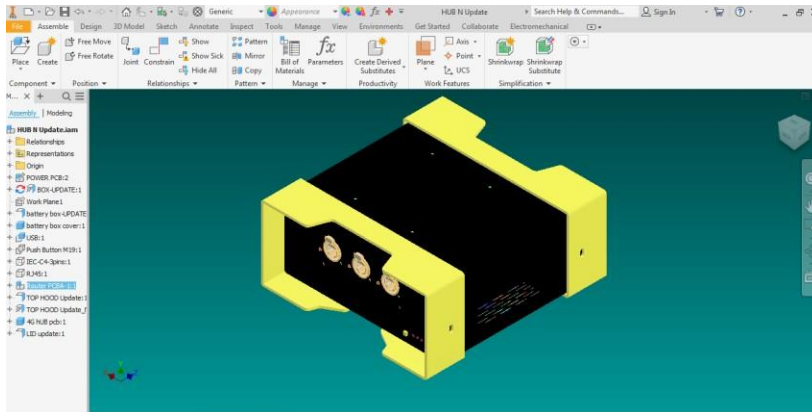
Above is the rendered model of Mini Monitor Enclosure Assembly designed in Autodesk Inventor



Sports Hub Enclosure

Project Title:-Sports Hub Enclosure

Aim:- To design and analyze the Sports Hub Enclosure



Above is the rendered model of Hub Enclosure Assembly designed in Autodesk

Enclosure for Electronics device

Project Title:- Enclosure for electronics device

Aim:- To design and preparation drawing for manufacturing

