
NABEEL KM

Mechanical Design Engineer

nblnkm@gmail.com

+974 50 63 83 63 (QATAR)

+91 99461 99545 (INDIA)

www.linkedin.com/in/nabeelkm

Place : Doha, State of Qatar

Date : 13-March-2020



Mechanical Design Engineer, having 4+ years of experience, seeking to advance career by utilizing Engineering skills and experience for the fulfillment of Organization and to grow with it.

Profile Summary



I am passionate about building great products that make people's lives easier. I have over 4.8 years of experience strategizing innovative digital experiences. I am enjoying a dynamic liable engineering career at Sastra Robotics India Pvt Ltd-Kerala, India, as Mechanical Design Engineer.

I am experienced in the New Product Development, Prototyping, Product Manufacturing, Assembly, Reverse Engineering, Product Commissioning, Troubleshooting, Client Management, Project Management and Vendor Management.

I have exposure to different Manufacturing Process such as CNC Machining, 3D Printing, Laser Cutting and Sheet metal Fabrication. Also have experience in surface finishing techniques such as Powder coating, Anodising, Screen Printing and Automotive Painting.

Skills & Expertise



Software Skills:

- Solidworks 2019
- AutoCAD 2017
- Autodesk Fusion 360- CAM
- MS Office
- ERP-SAP
- Primavera 6 (P6)

Soft Skills:

- Team Leadership
- Team Player
- Multi-Tasking
- Goal Oriented

- ❑ Knowledge in Engineering Principles, Machining Techniques and Manufacturing processes.
- ❑ Proficient in **Design** of Mechanical Parts, Assemblies and Plastic & **Sheet Metal** Enclosures.
- ❑ Experienced in **CAD/CAM** Process & Manufacturing
- ❑ Proficiency in implementng **DFM & DFA**
- ❑ Undergoes **Rapid Prototyping**, Functional Analysis, Troubleshooting and Reverse engineering.
- ❑ Coordinate the preparation of **Project plan** schedule, **Cost Estimation** and **BOM**.
- ❑ Efficiently coordinate with cross functional teams for precise **Design Engineering and Manufacturing**.
- ❑ Plays an active role in establishing the specifications for the material procurement and identification of vendors.

Career Highlights



- **Mechanical Design Engineer**

Sastra Robotics India Pvt Ltd,
Cochin-Kerala,India.

June 2016 - January 2020

www.sastrarobotics.com

- **Mechanical Design Engineer**

Reinwo Labs India Pvt Ltd,
Cochin-Kerala,India.

May 2015 - June 2016

Academic Highlights

- **Certification-Geometric Dimensioning & Tolerancing(GD&T).**

Udemy - February 2020

- **B-Tech in Mechanical Engineering**

School Of Engineering,

Cochin University of Science and Technology (CUSAT).

Cochin-Kerala,India.

2011-2015

- **Certification - Computer Aided Design and Drafting.**

Cochin University of Science and Technology (CUSAT).

Cochin-Kerala,India.

February 2015

Portfolio Contents



- **Dimenzio**

I have developed 3 Variants of a Platform based on Cartesian system using Linear servo motors.

- Dimenzio Mini - For Testing Smart Mobile Phones Upto 5" Screen size & Feature Phones.
- Dimenzio MG - For Testing Tablets, Ipad & Display Upto 10" Screens Size.
- Dimenzio MC - For Testing Car infotainment Systems & HMI Panels in Home Appliances.

- **Control Box**

Enclosure Design, Drafting & Fabrication in Sheetmetal.

- **Robotic Gripper**

Design and Development of Gripper Module for Pressing buttons, Rotating Knobs & Operating Toggle switches.

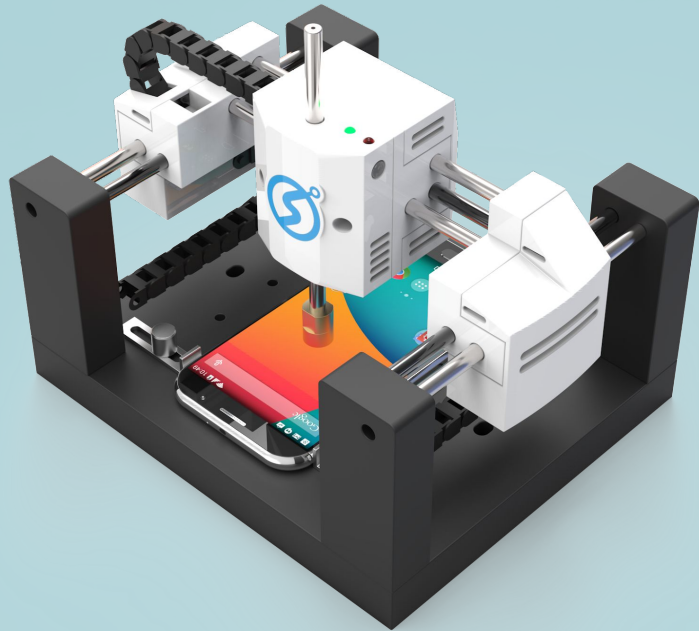
- **Quaco Test RIG**

Design and Fabrication of Sheetmetal Enclosure Box for Enclosing the Robotic Arm with DUT Mounting Accessories and CMM Plate.

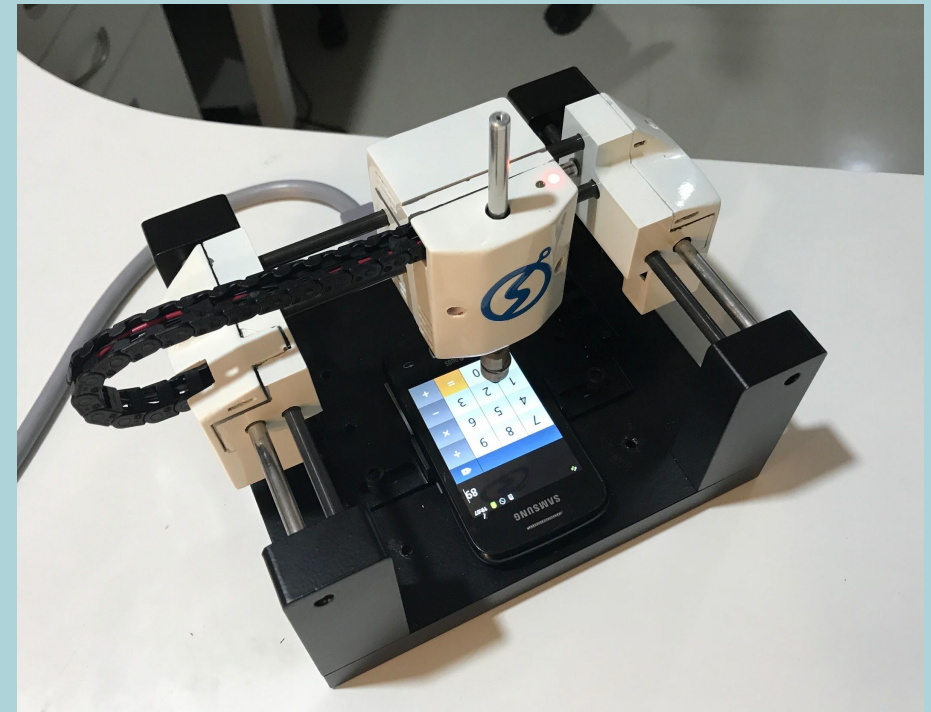
Product Videos are Uploaded [Here](#)

Dimenzio Mini

Robotic Platform for Automating Testing of Smart Mobile Phones Upto 5" Screen size & Feature Phones.



Rendered Image

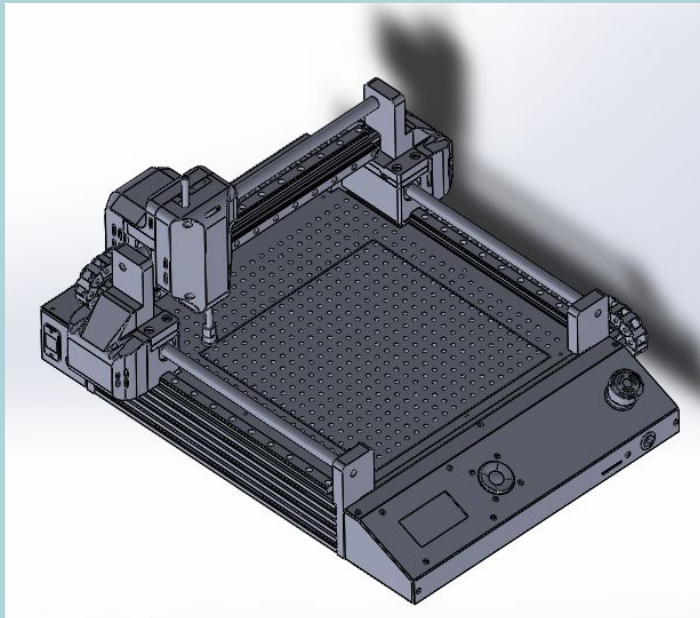


Manufactured Product

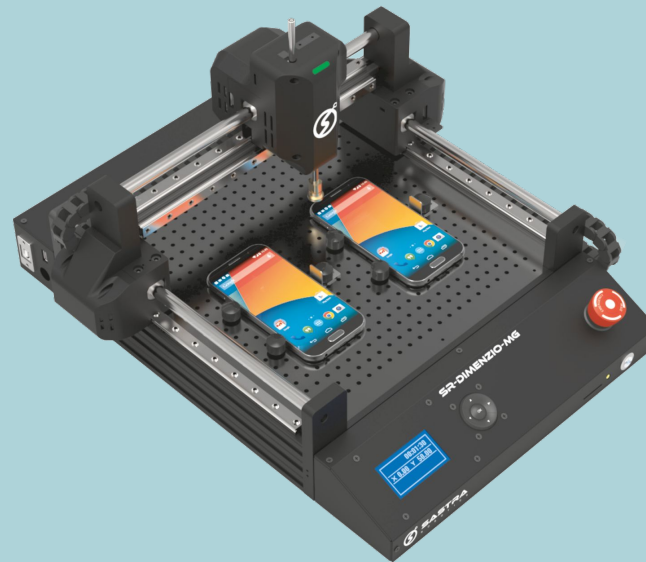
For Product Video: [Click Here](#)

Dimenzio MG

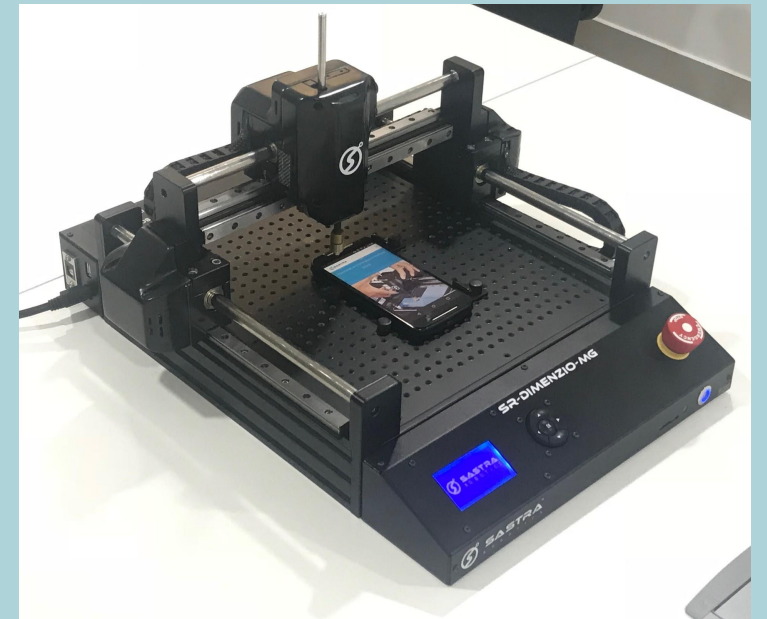
- Design and Development of Robotic Platform for Automating Testing Touchscreens and HMI Panels.
- Manufacturing of the components and sheetmetal fabrication.



CAD Model



Rendered Image

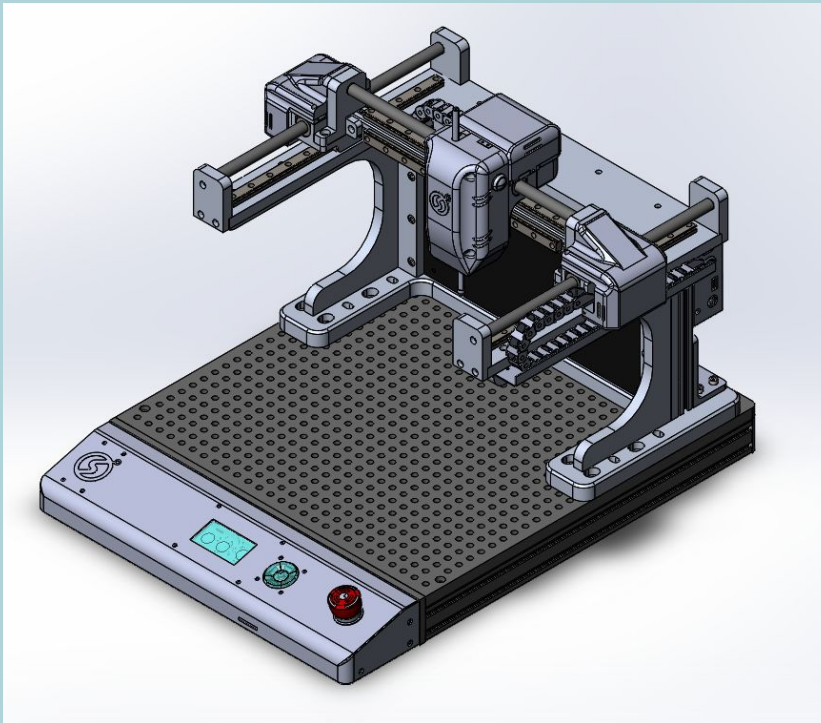


Manufactured Product

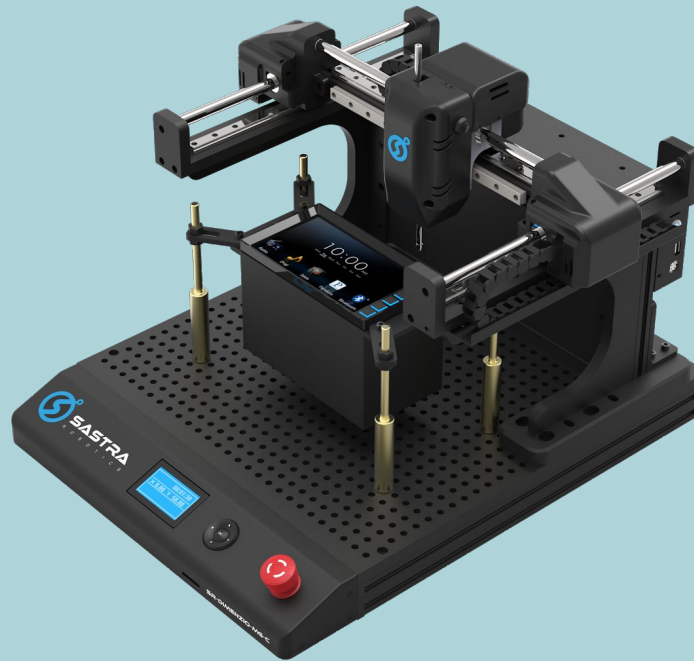
For Product Video: [Click Here](#)

Dimenzio MC

Robotic Platform for Automating Testing of Smart Mobile Phones Upto 5" Screen size & Feature Phones.



CAD Model



Rendered Image

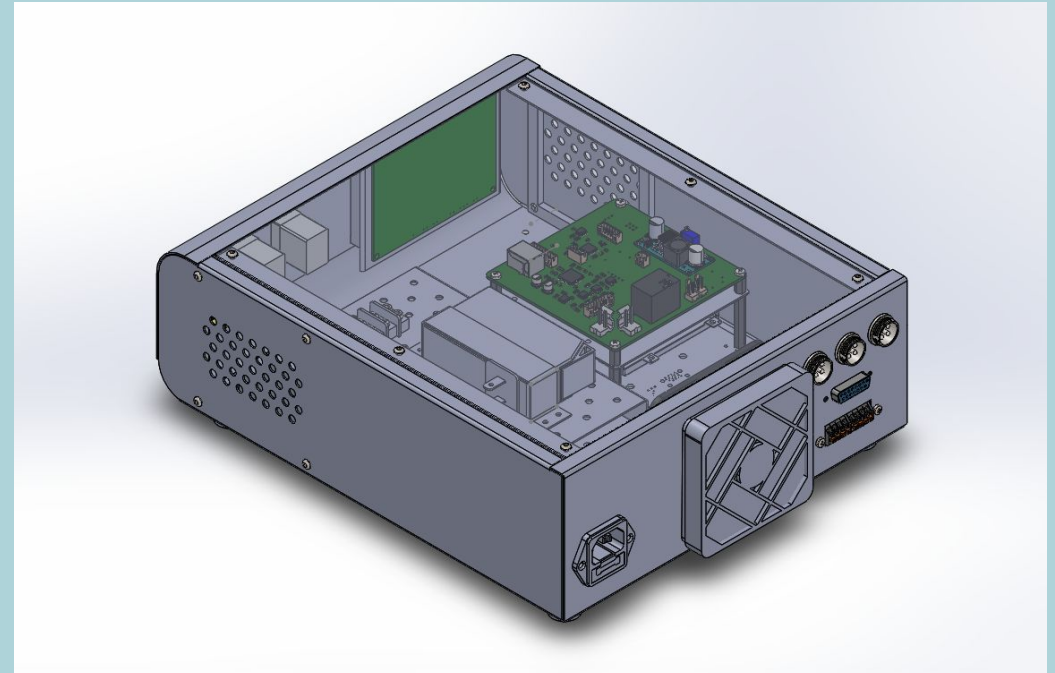
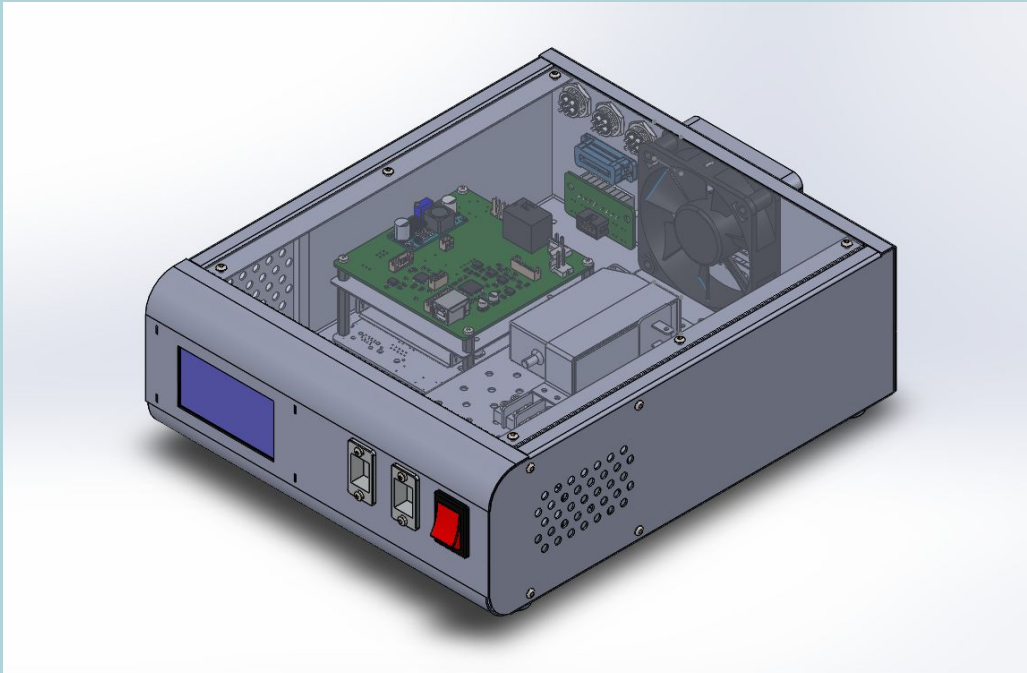


Manufactured Product

For Product Video: [Click Here](#)

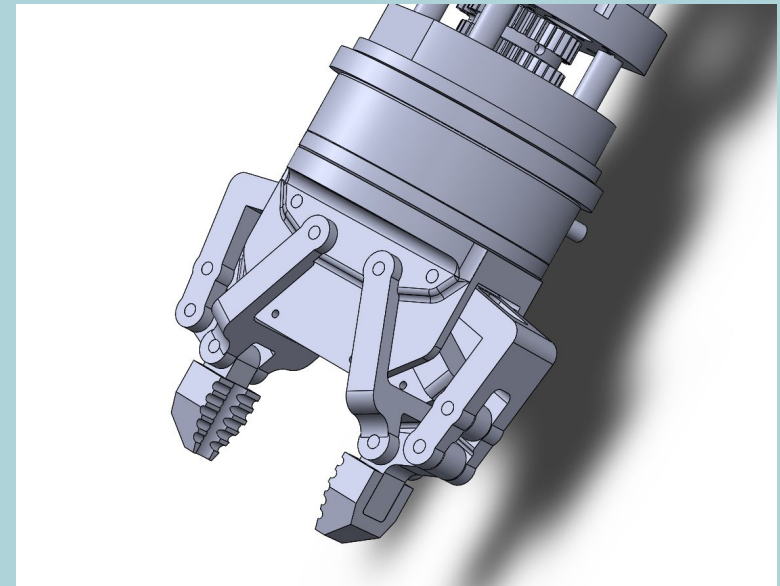
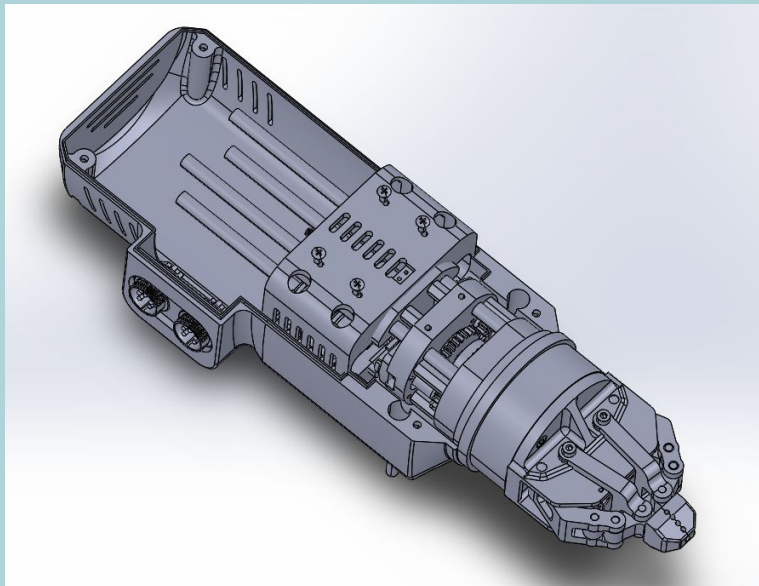
Control Box

- Worked on the Sheetmetal Enclosure 3D Design and 2D Development Drawing Drafting.
- Coordinated Component Manufacturing ,Sheetmetal Fabrication and Surface finishing
- Supervised Product Testing and Quality Check .



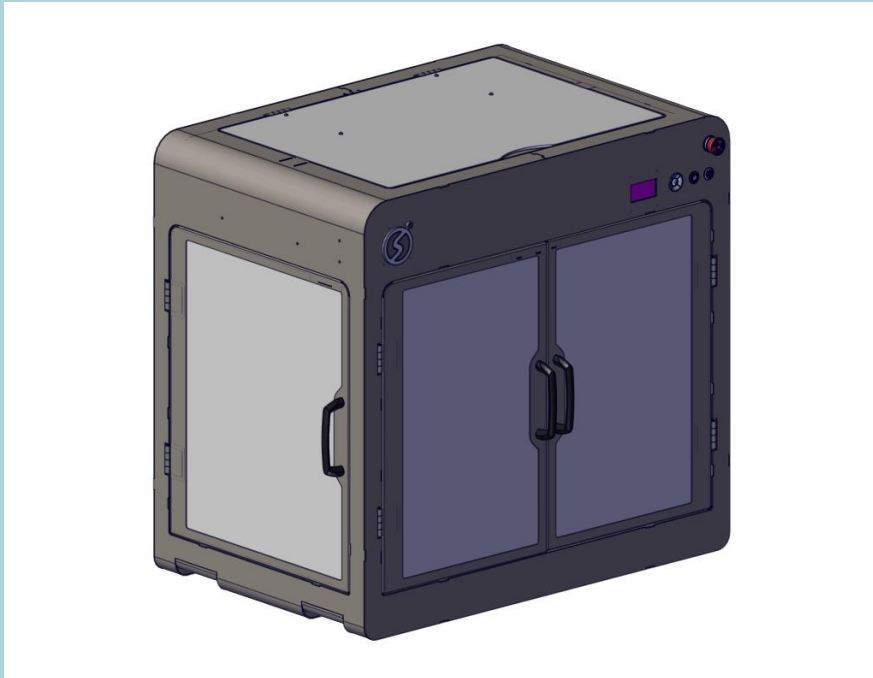
Robotic Gripper

- Design and Development of Gripper Module for Pressing buttons, Rotating Knobs & Operating Toggle switches.
- Identification and selection of the Drives and motors.
- Manufacturing and machining of the components.
- Assembly of the Product and Testing.



Quaco Test RIG

- Worked on the Sheetmetal Enclosure 3D Design and 2D Development Drawing Drafting.
- Coordinated Component Manufacturing, Sheetmetal Fabrication and Surface finishing
- Supervised Product Assembly, Testing and Quality Check .



Product Details: <https://sastrarobotics.com/>

Contact



Nabeel KM

nblnkm@gmail.com

+974 50 63 83 63

+91 99 461 99 545

Skype id: nabeel_km

www.linkedin.com/in/nabeelkm