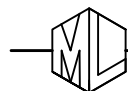
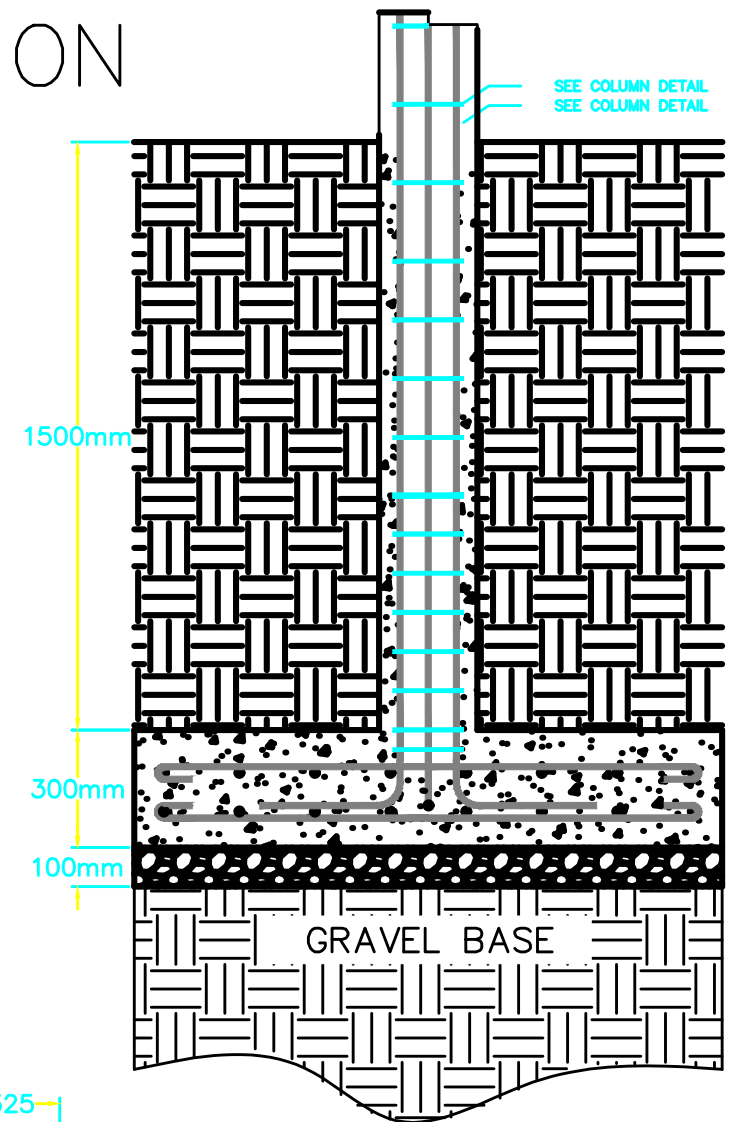


FOUNDATION PLAN

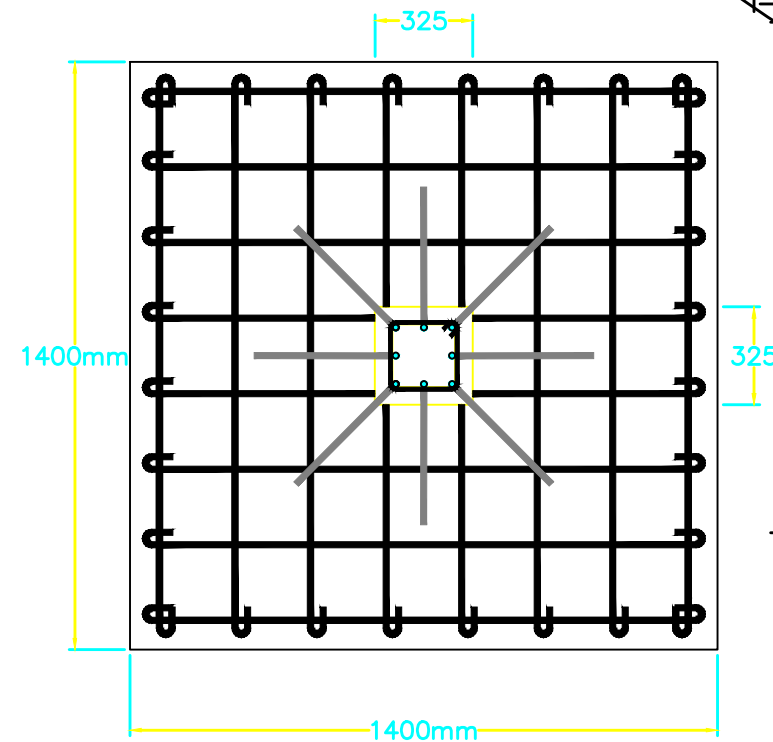


SCALE NTS

SECTION



PLAN



REINFORCEMENT BARS:
 8 - 16 mm. \emptyset width
 8 - 16 mm. \emptyset length
 spaced @ 200 mm

F1-C1
 SCALE NTS

CIVIL ENGINEER:
MAX LEWIS M. DOMAOAN

PROJECT TITLE
2 - STOREY RESIDENTIAL BUILDING

CLIENT:
 MONTERITZ, MAA, DAVAO CITY

SHEET CONTENTS:
 FOUNDATION PLAN
 F1-C1

SHEET NO.:
S 4