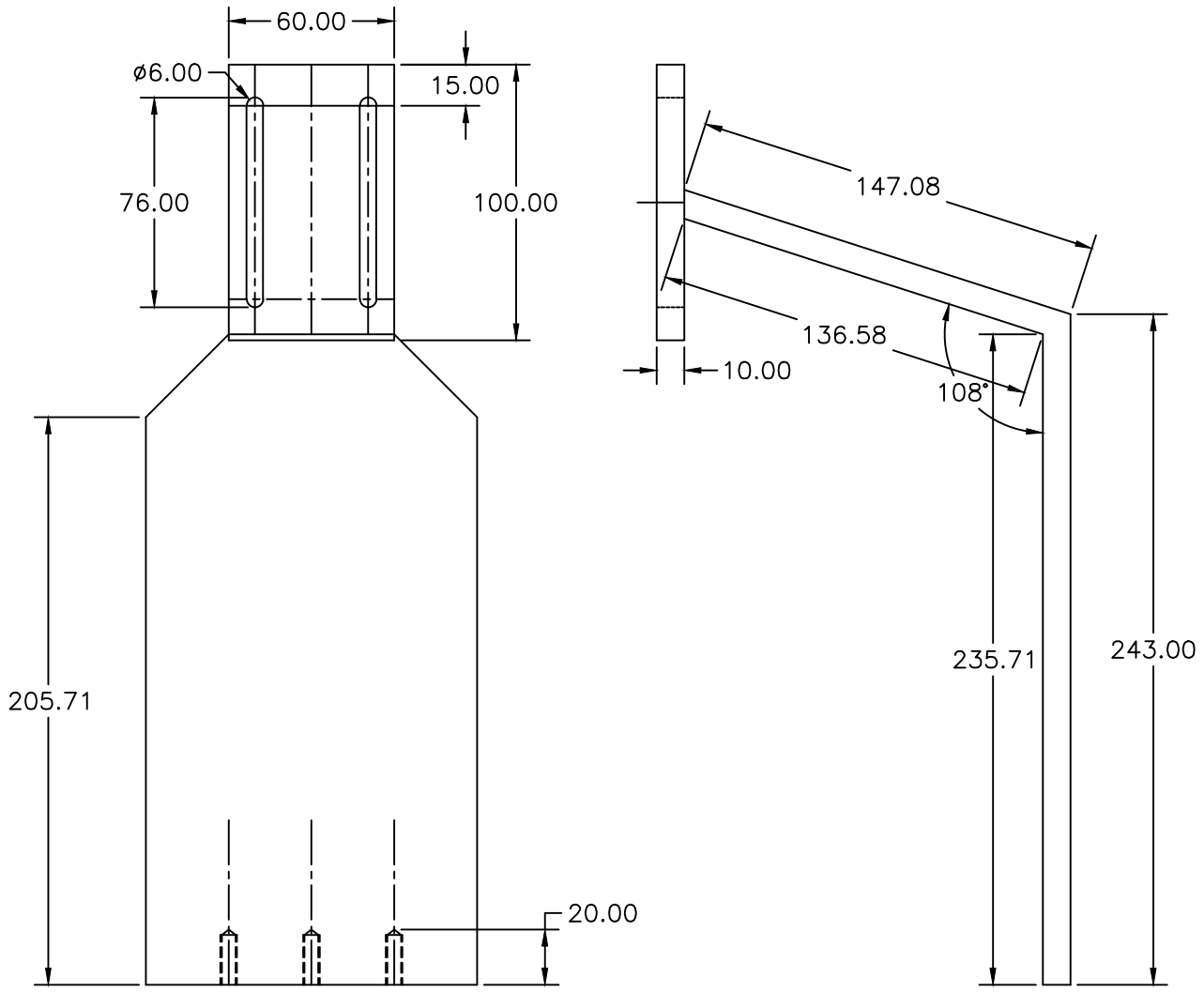


PART NO-2



NOTE-
1-MAT EN-31 (WITH BLACKNING)
2-QTY-1 NOS