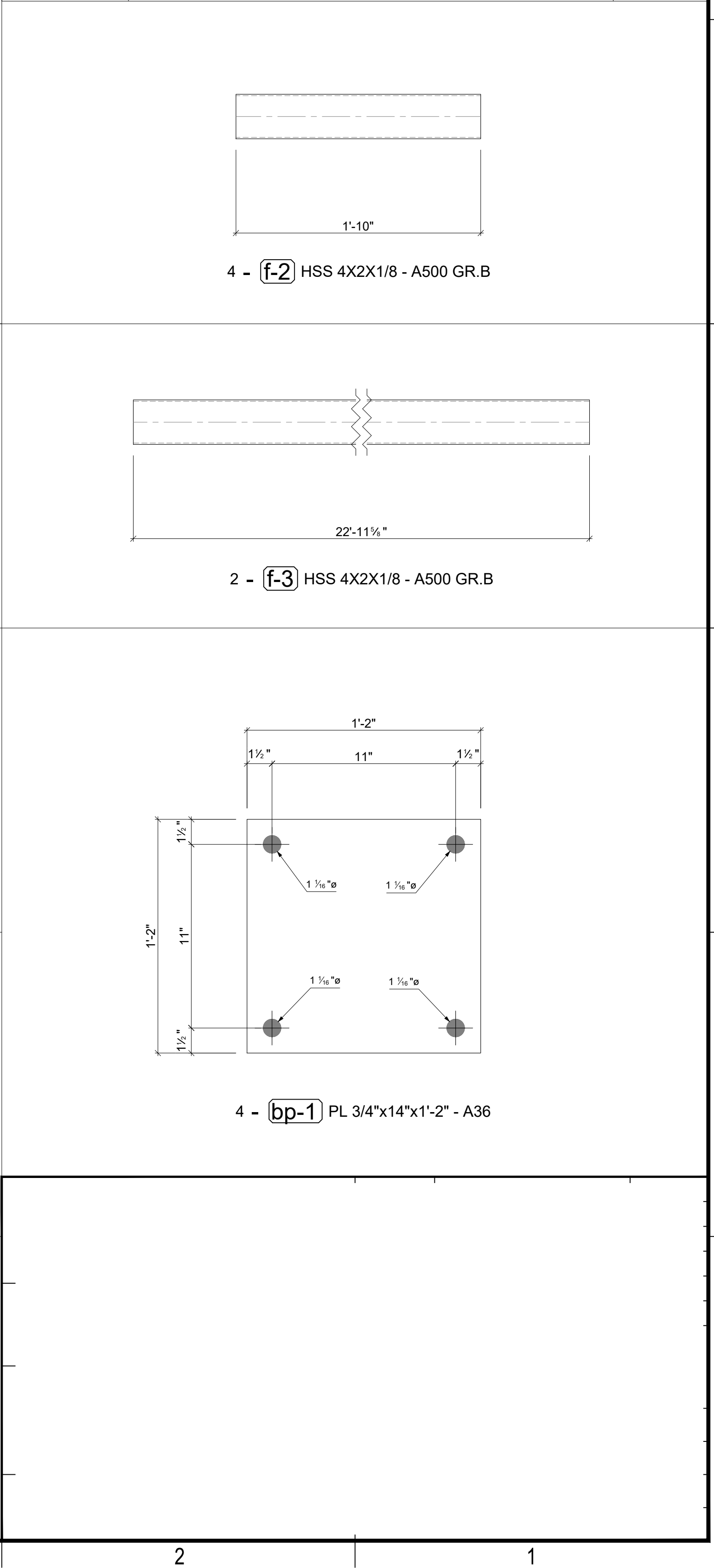
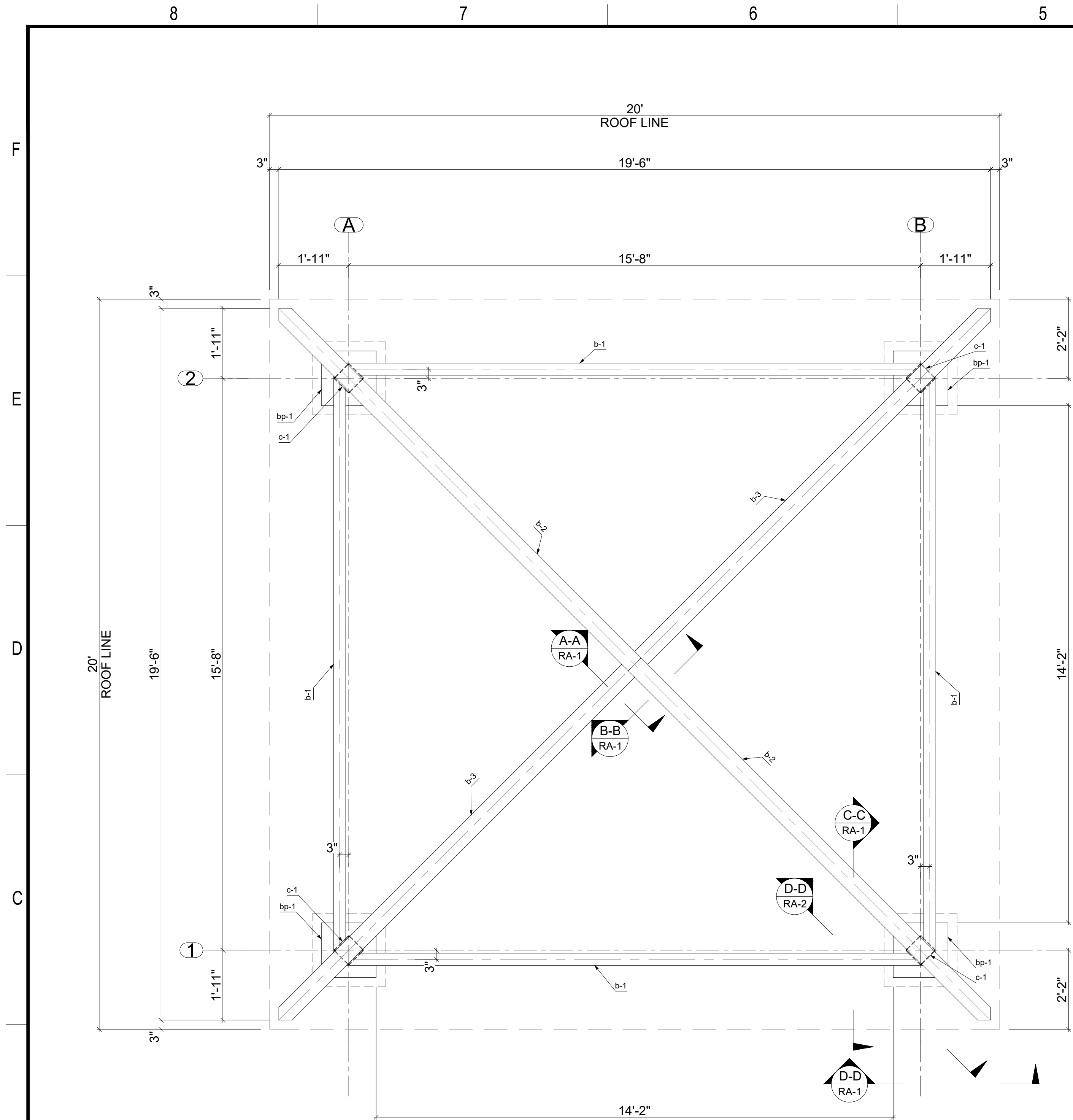
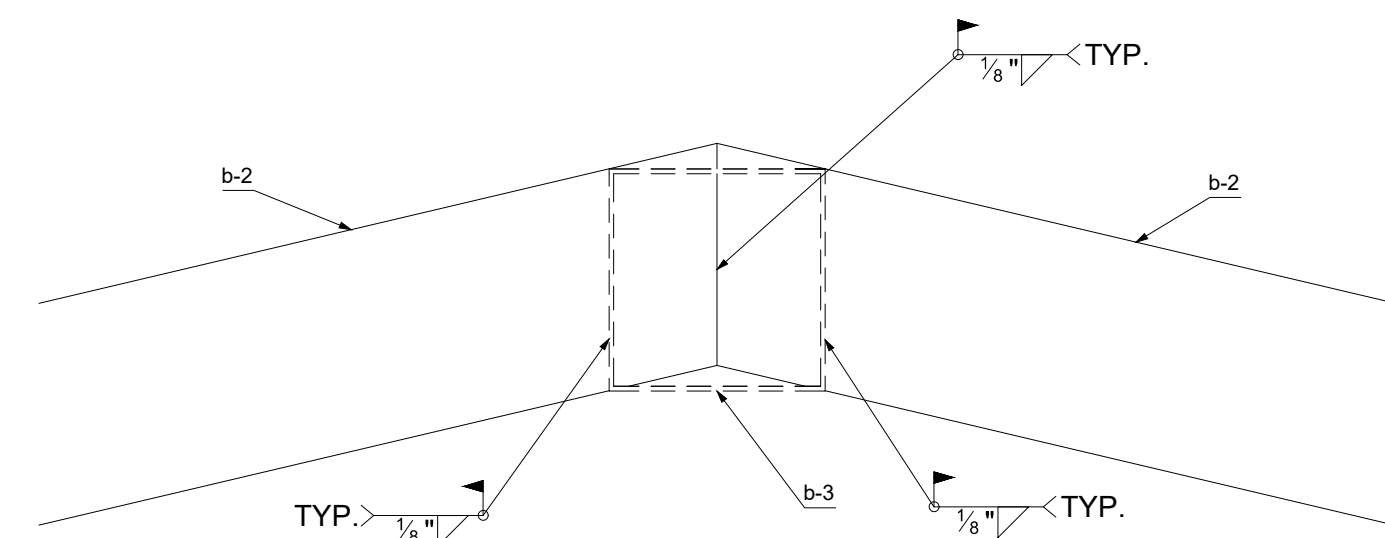


Mark	Quantity	Description	Length	Grade	Part weight	Total weight
b-1	6	HSS 4X4X3/16	1'-8"	A500 GR.B	15.70	94.20
b-2	4	HSS 4X4X1/8	4'-5 3/4"	A500 GR.B	28.94	115.74
b-3	4	HSS 4X4X3/16	1'-7"	A500 GR.B	14.92	59.66
b-4	3	HSS 4X4X3/16	29'-8"	A500 GR.B	279.46	838.38
b-5	2	HSS 4X4X3/16	29'-6"	A500 GR.B	277.89	555.78
b-6	1	HSS 4X4X1/8	1'-11 5/8"	A500 GR.B	12.72	12.72
b-7	1	HSS 4X4X1/8	1'-9"	A500 GR.B	11.31	11.31
c-1	2	HSS 6X6X3/16	12'-9 11/16"	A500 GR.B	186.08	372.17
c-2	2	HSS 6X6X3/16	9'-8 1/2"	A500 GR.B	141.07	282.14
f-1	4	HSS 4X2X1/8	14'-8"	A500 GR.B	69.67	278.67
f-2	4	HSS 4X2X1/8	1'-10"	A500 GR.B	8.71	34.83
f-3	2	HSS 4X2X1/8	22'-11 5/8"	A500 GR.B	109.11	218.22
r-1	2	HSS 8X4X3/16	18'-10 1/4"	A500 GR.B	273.93	547.87
r-2	2	HSS 8X4X3/16	1'-10 9/16"	A500 GR.B	27.34	54.69
r-3	2	HSS 8X4X3/16	1'-9 1/4"	A500 GR.B	25.76	51.53
	41					3527.90

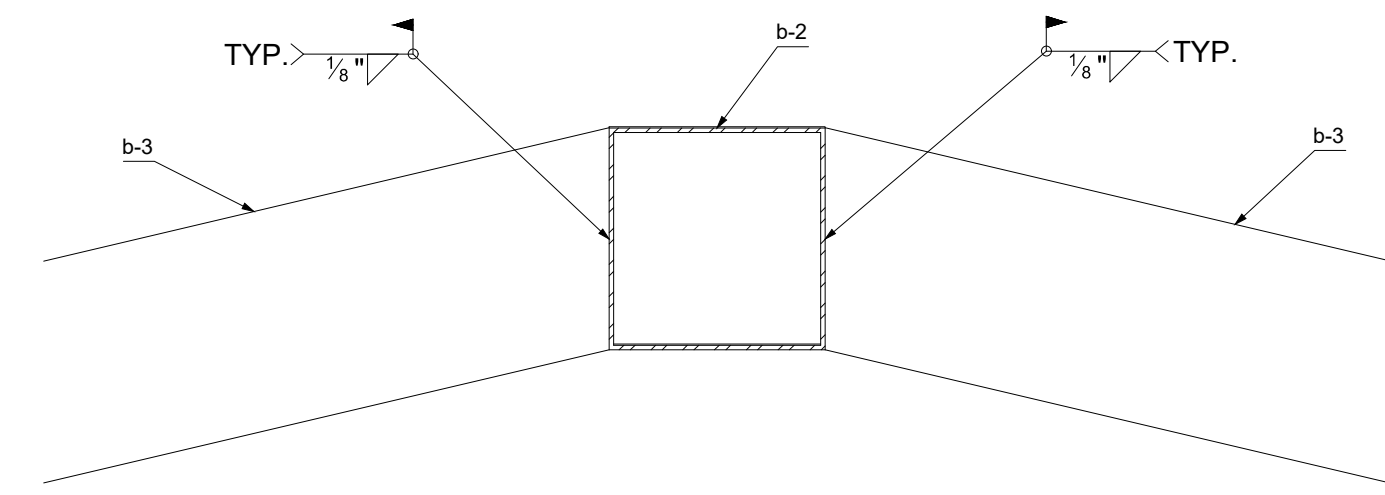




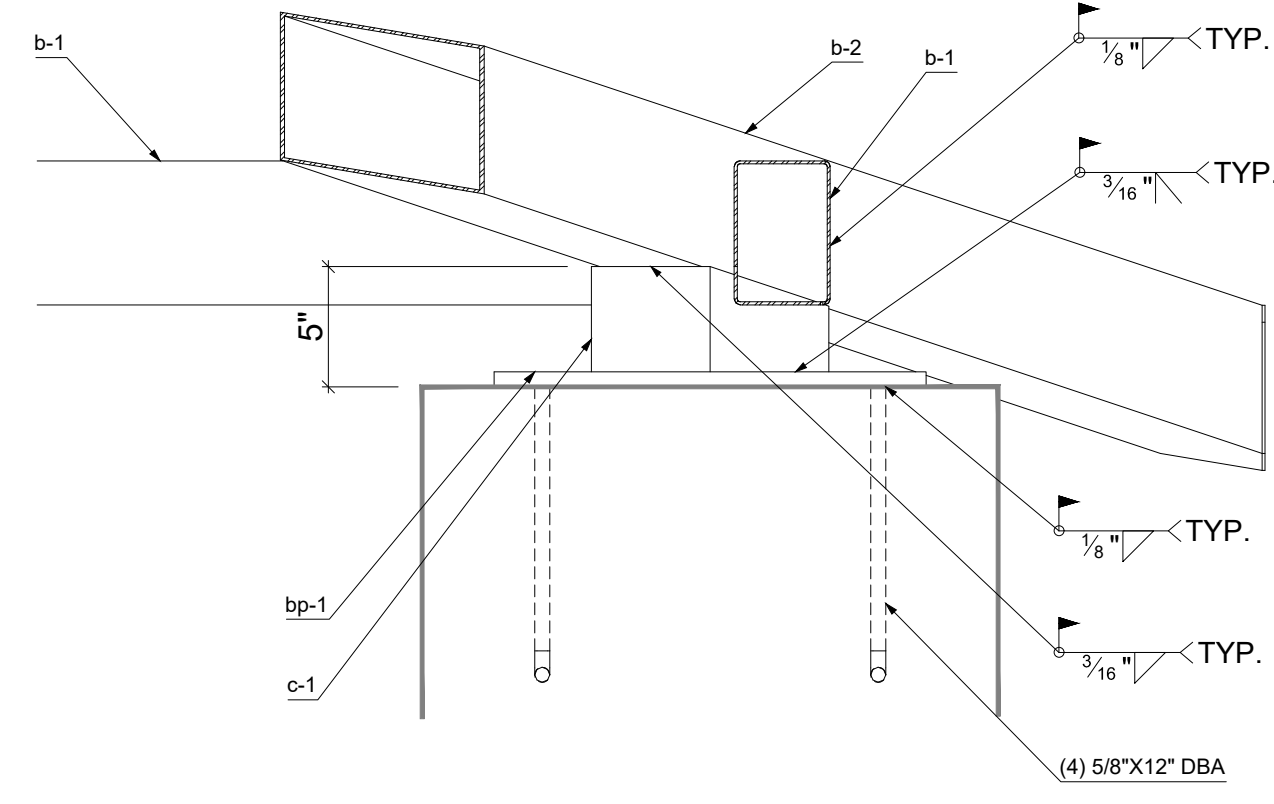
RAMADA ROOF FRAMING PLAN  
SCALE: 1/2" = 1'-0"



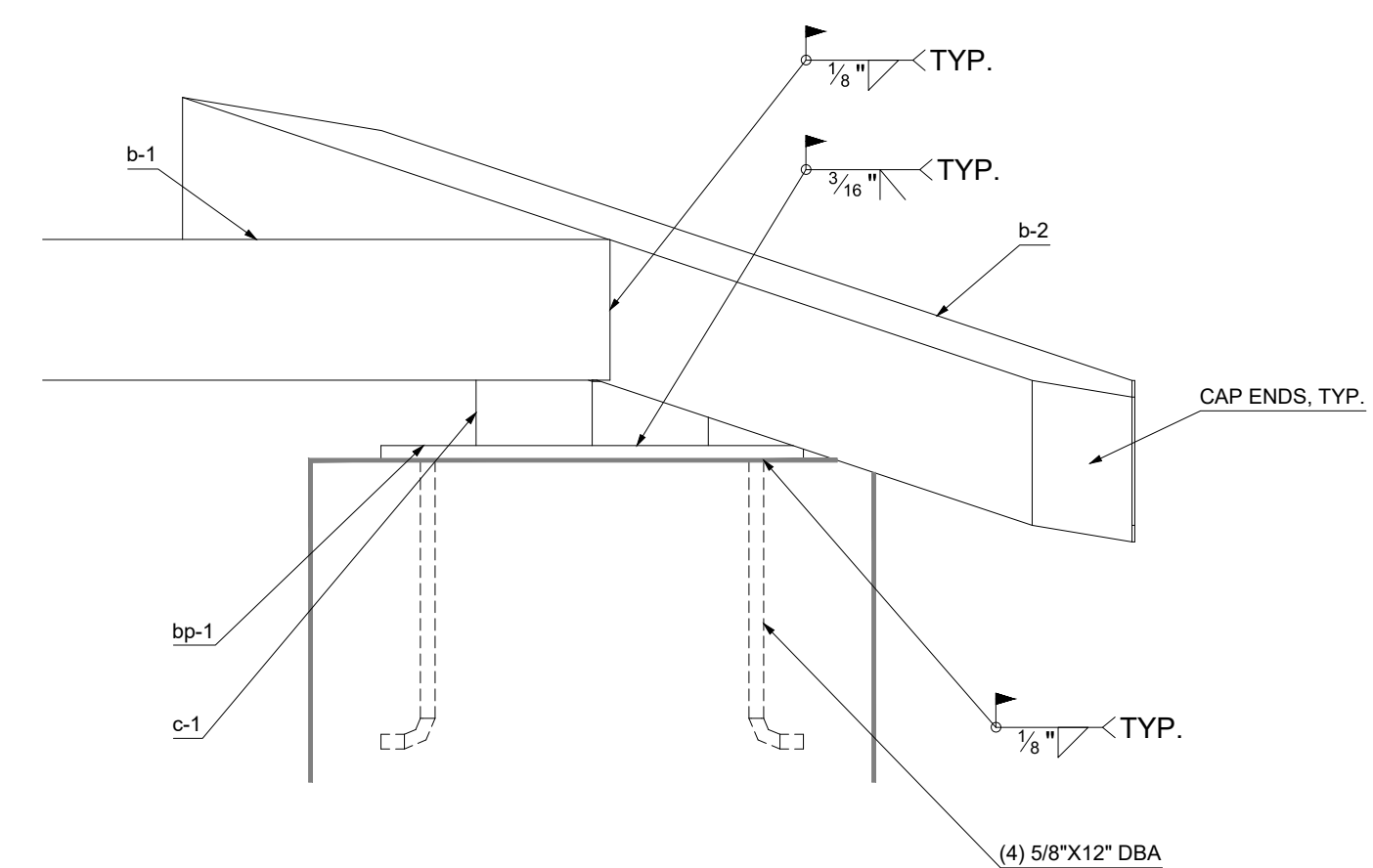
SECTION A - A



SECTION B - B



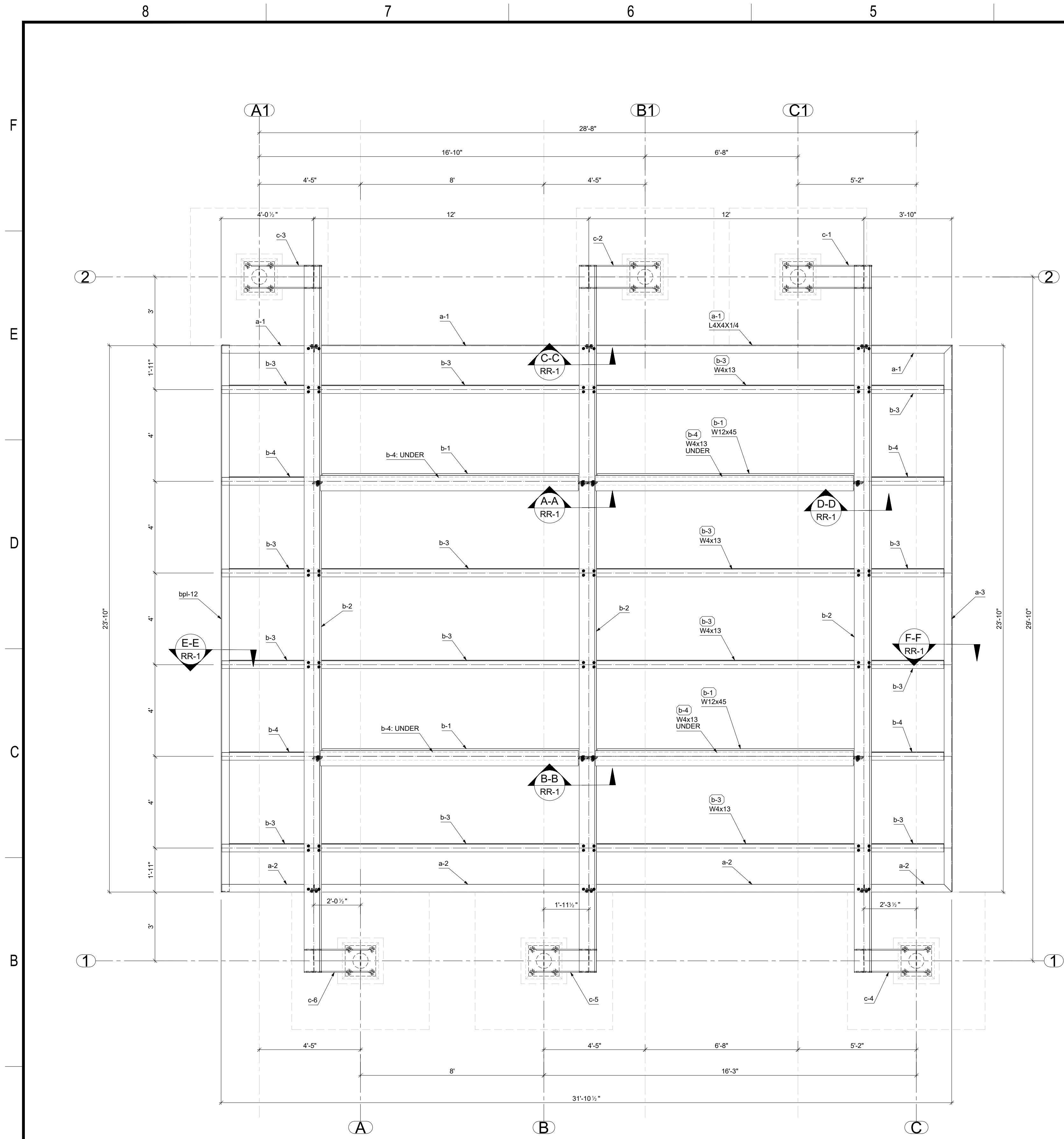
SECTION C - C



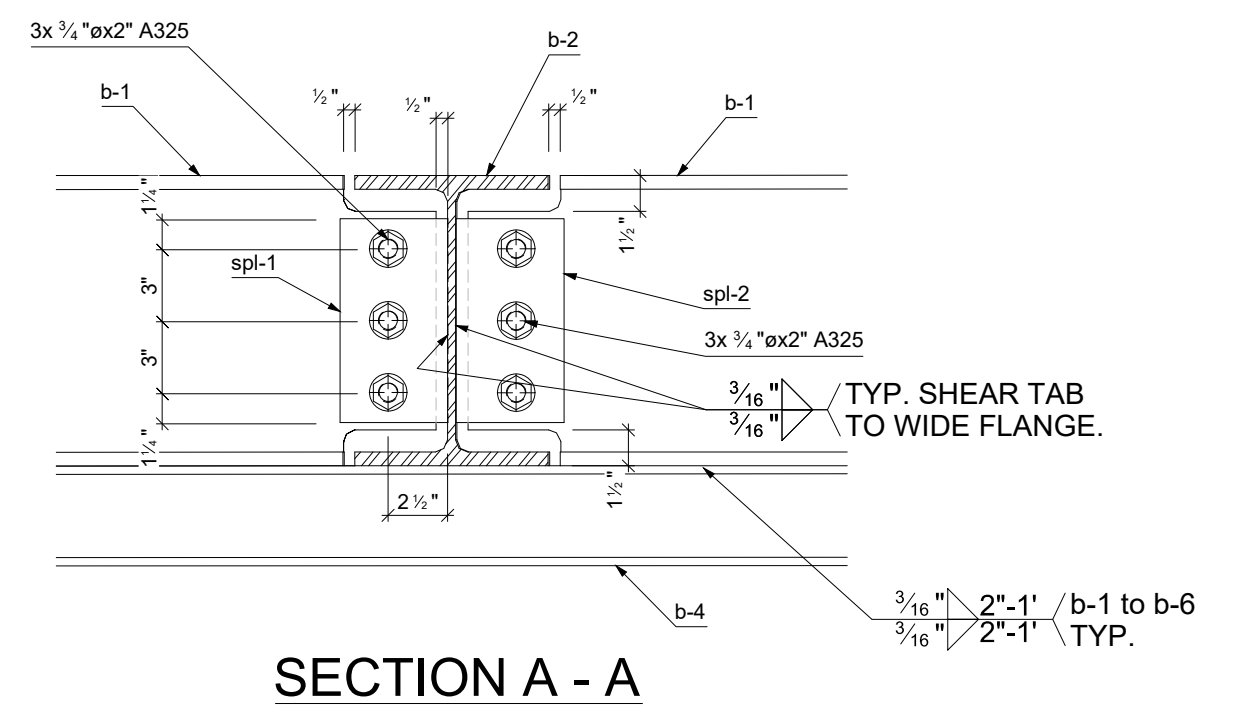
SECTION D - D

Mark	Quantity	Description	Length	Grade	Part weight	Total weight
b-1	4	HSS 6X4X1/8	15'-9 1/2"	A500 GR.B	128.87	515.48
b-2	2	HSS 6X6X1/8	14'-3 7/16"	A500 GR.B	140.84	281.69
b-3	2	HSS 6X6X1/8	14'-5 1/16"	A500 GR.B	138.31	276.62
<b>8</b>						<b>1073.99</b>
bp-1	4	PL 5/8"x18"x1'-6"	1'-6"	A36	57.43	229.72
<b>4</b>						<b>229.72</b>
c-1	4	HSS 7X7X3/16	4 3/8"	A500 GR.B	6.25	24.99
<b>4</b>						<b>24.99</b>

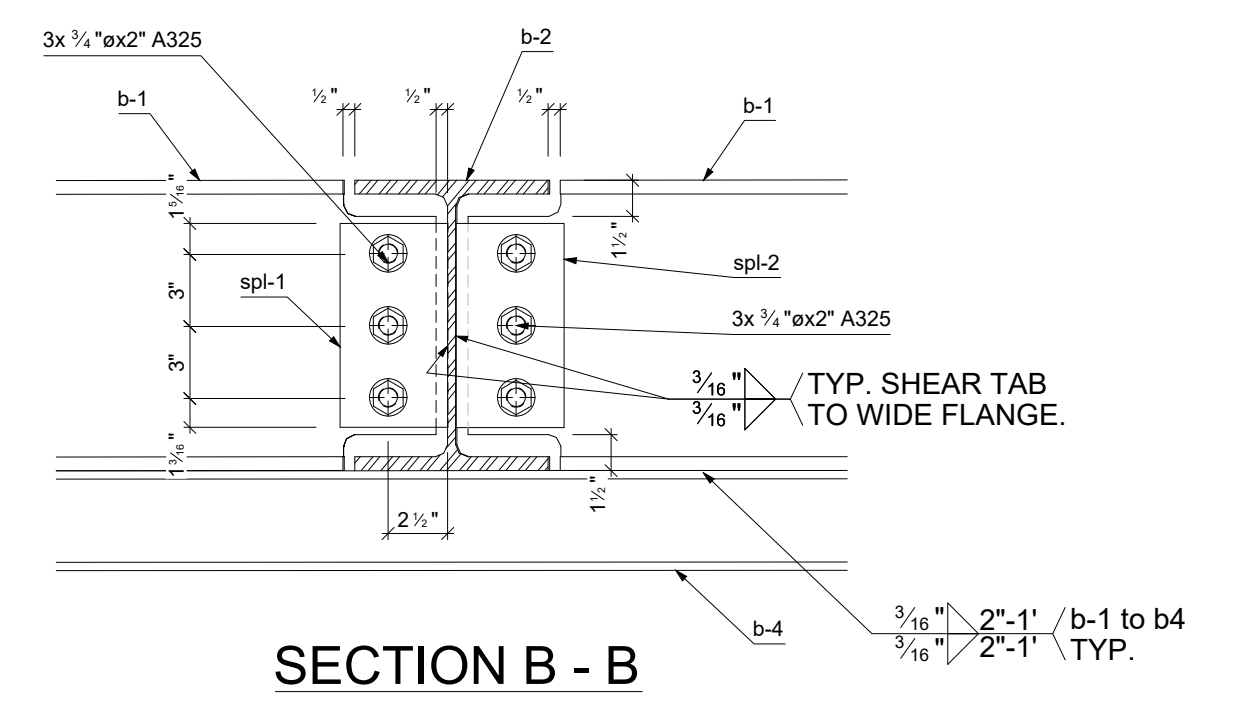
NOTE:  
ROOF DECK NOT SHOWN FOR CLARITY.



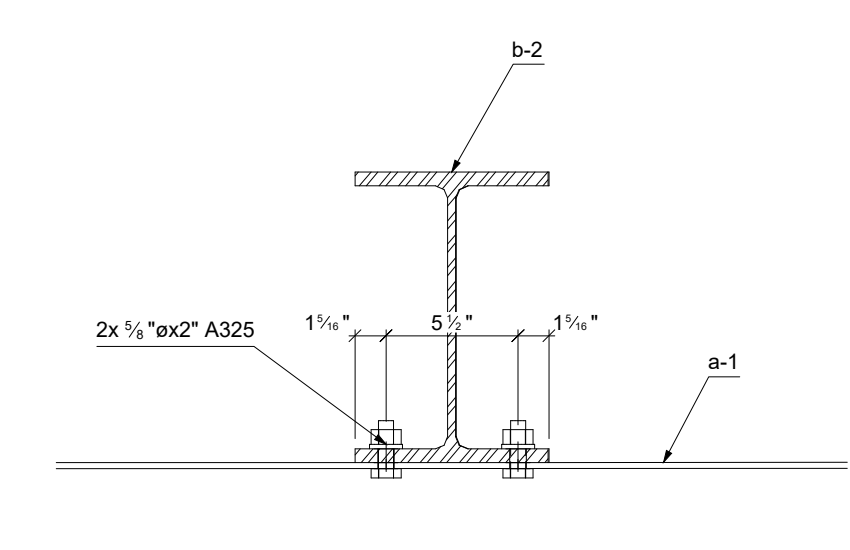
RESTROOM BEAMS AND COLUMNS PLAN  
SCALE: 3/8" = 1'-0"



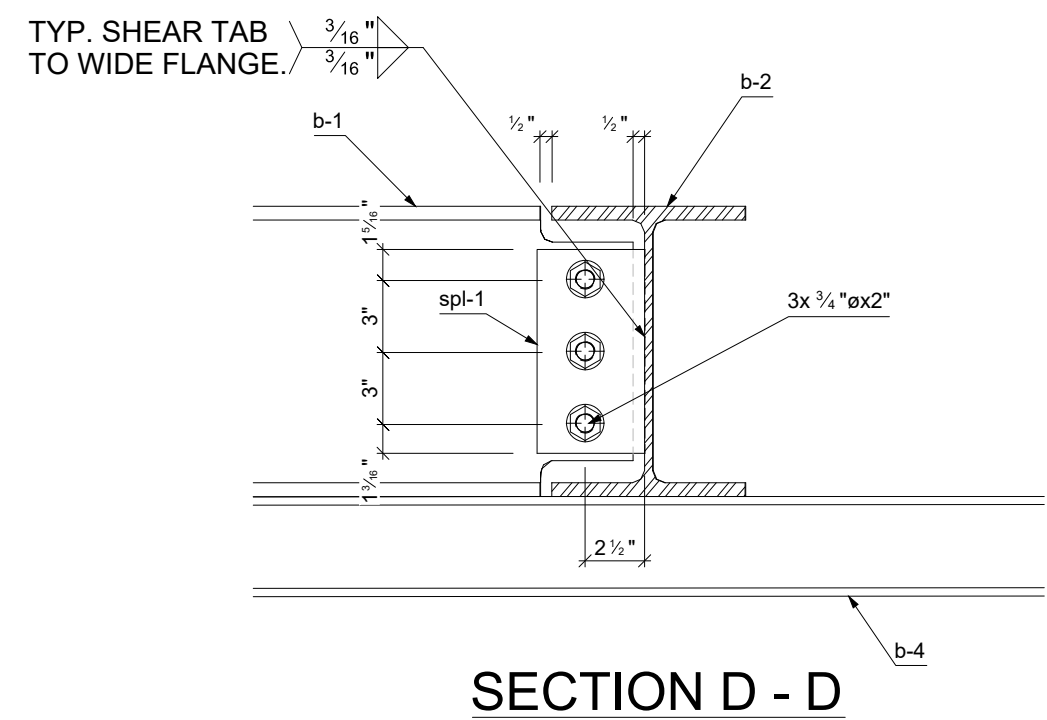
SECTION A - A



SECTION B - B



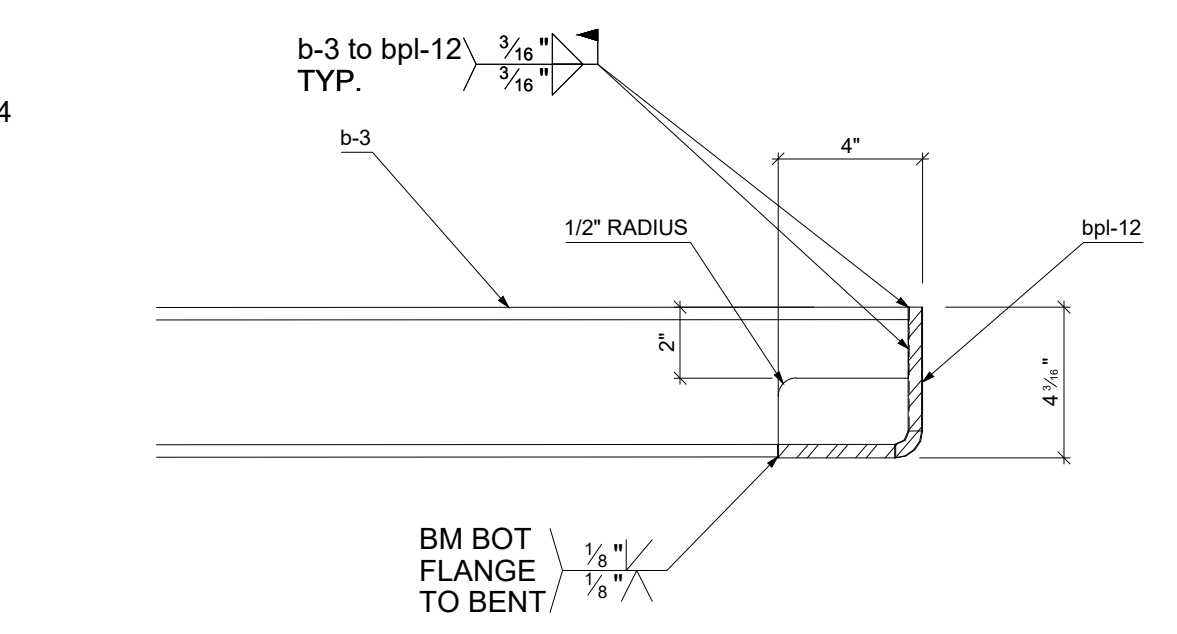
SECTION C - C



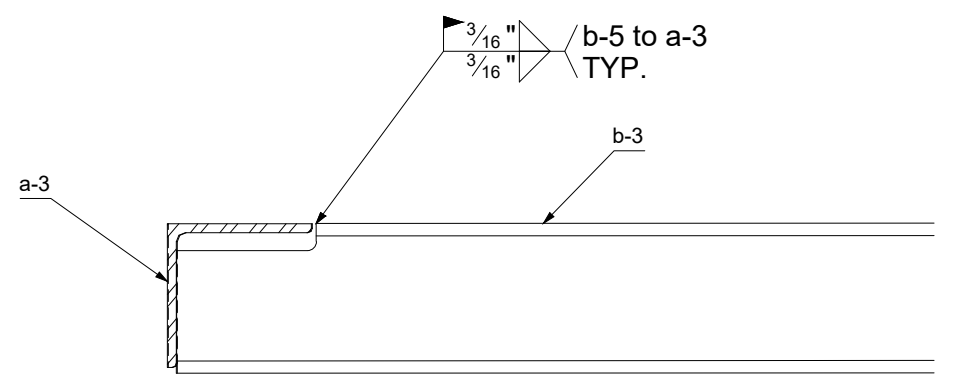
SECTION D - D

Mark	Quantity	Description	Length	Grade	Part weight	Total weight
STPL-1	24	PL 1/2"x3 3/4"x10 13/16"	10 13/16"	A588	5.67	136.18
	24					136.18
a-1	1	L4X4X1/4	31'-11 1/2"	A588	210.91	210.91
a-2	1	L4X4X1/4	31'-11 7/16"	A588	210.90	210.90
a-3	1	L4X4X1/4	23'-11"	A588	157.85	157.85
b-1	4	W12x45	11'-11 3/16"	A588	536.86	2147.43
b-2	3	W12x45	31'-9 1/16"	A588	1397.04	4191.11
b-3	4	W4x13	31'-11 1/4"	A588	415.16	1660.66
b-4	2	W4x13	31'-11 1/4"	A588	415.16	830.33
	16					9409.19
bp-1	6	PL 1"x16"x1'-4"	1'-4"	A588	72.60	435.61
bpl-12	1	PL 3/8"x7 1/2"x23'-11"	23'-11"	A588	228.09	228.09
	7					663.70
c-1	1	W12x45	15'-7 3/16"	A588	702.02	702.02
c-2	1	W12x45	14'-5 11/16"	A588	651.22	651.22
c-3	1	W12x45	13'-6 7/16"	A588	609.14	609.14
c-4	1	W12x45	12'-11 13/16"	A588	584.28	584.28
c-5	1	W12x45	11'-11 7/8"	A588	539.64	539.64
c-6	1	W12x45	10'-11 3/4"	A588	494.06	494.06
	6					3580.37
p1	24	PL 1/2"x2 3/4"x2 3/4"	2 3/4"	A588	0.82	19.70
pl-3	6	PL 1/2"x16"x1'-4"	1'-4"	A588	36.30	217.80
spl-1	4	PL 3/8"x4 1/2"x8 1/2"	8 1/2"	A588	4.06	16.26
spl-2	4	PL 3/8"x4 1/2"x8 1/2"	8 1/2"	A588	4.07	16.28
	38					270.04

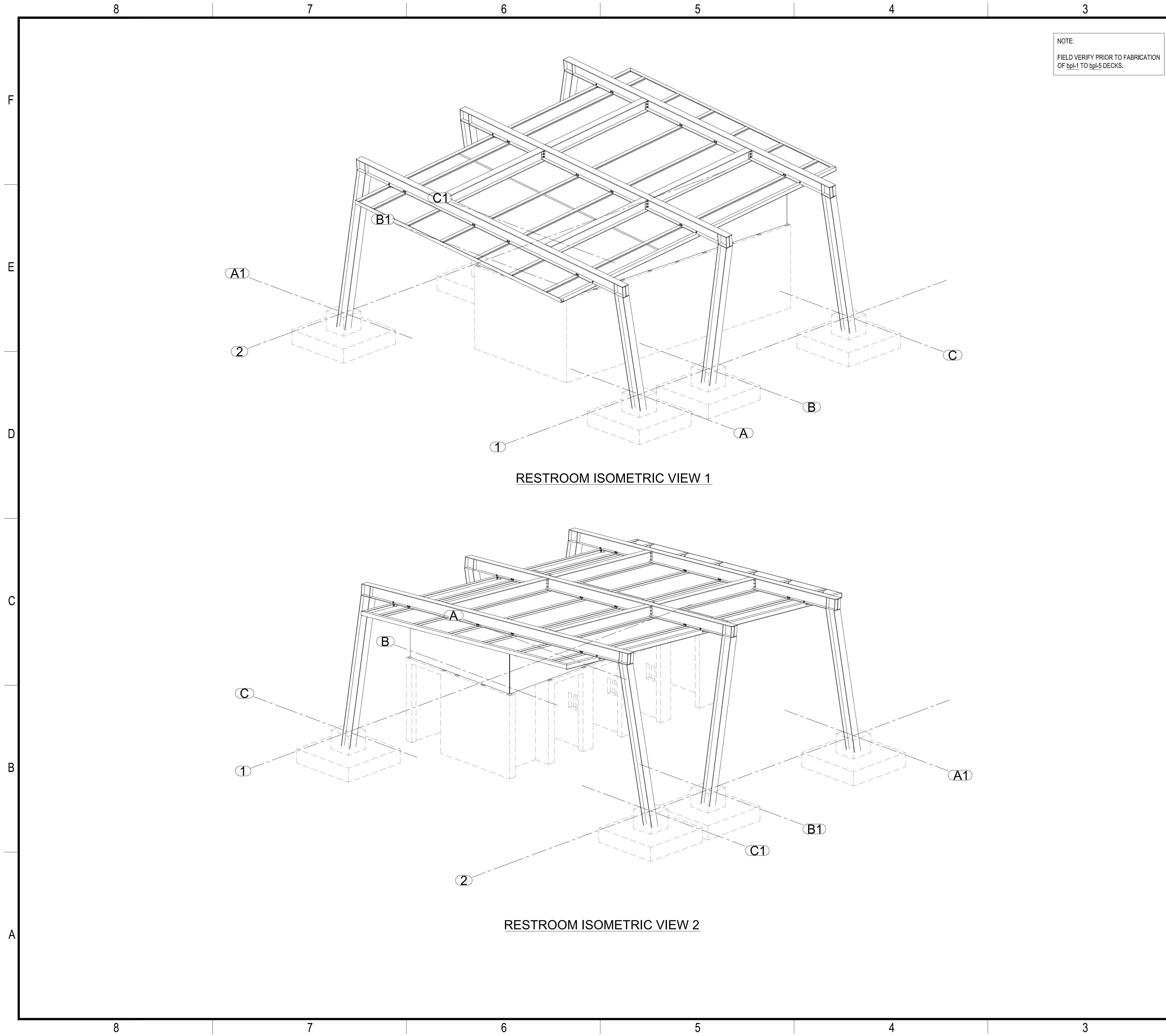
NOTE:  
10 GA. ROOF PLATE NOT SHOWN FOR CLARITY.



SECTION E - E



SECTION F - F

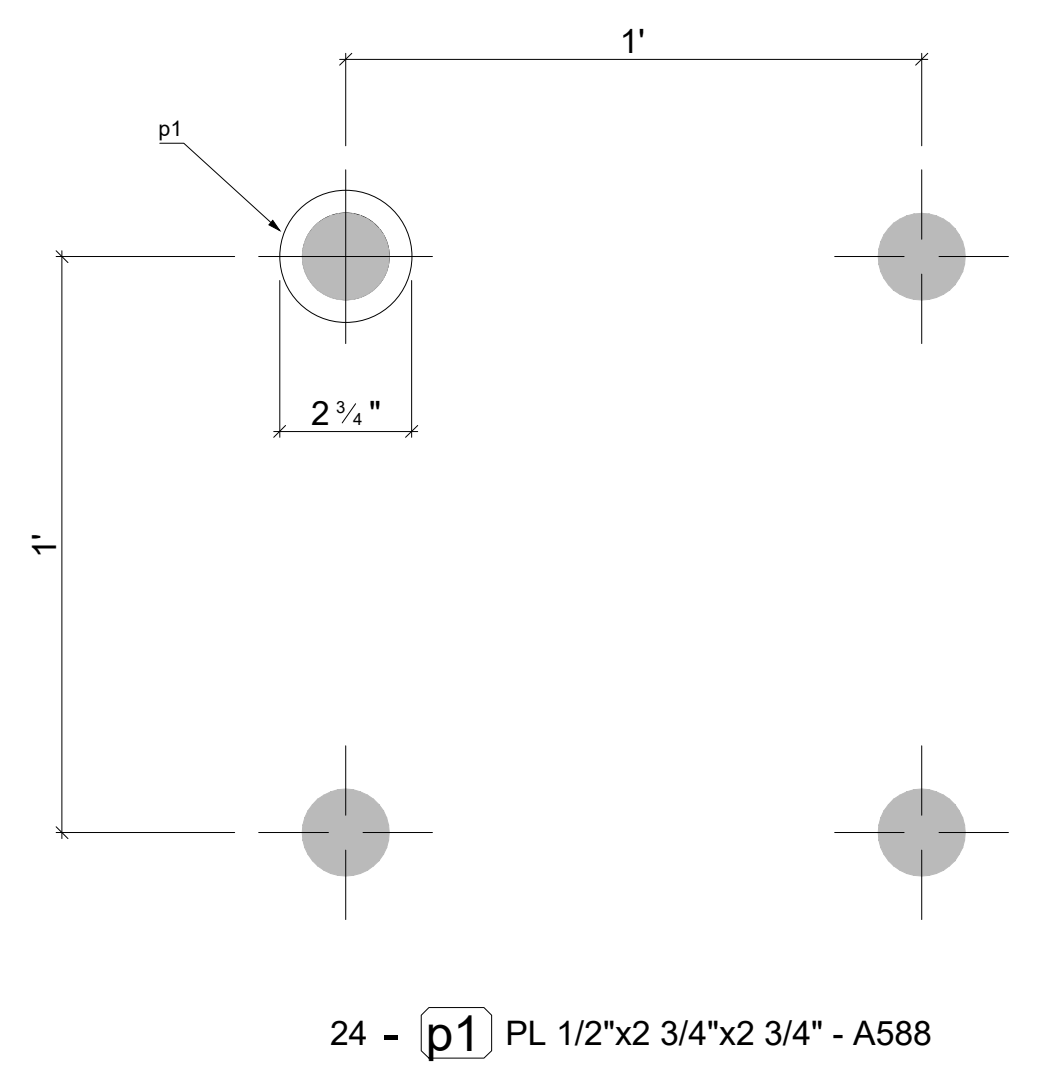
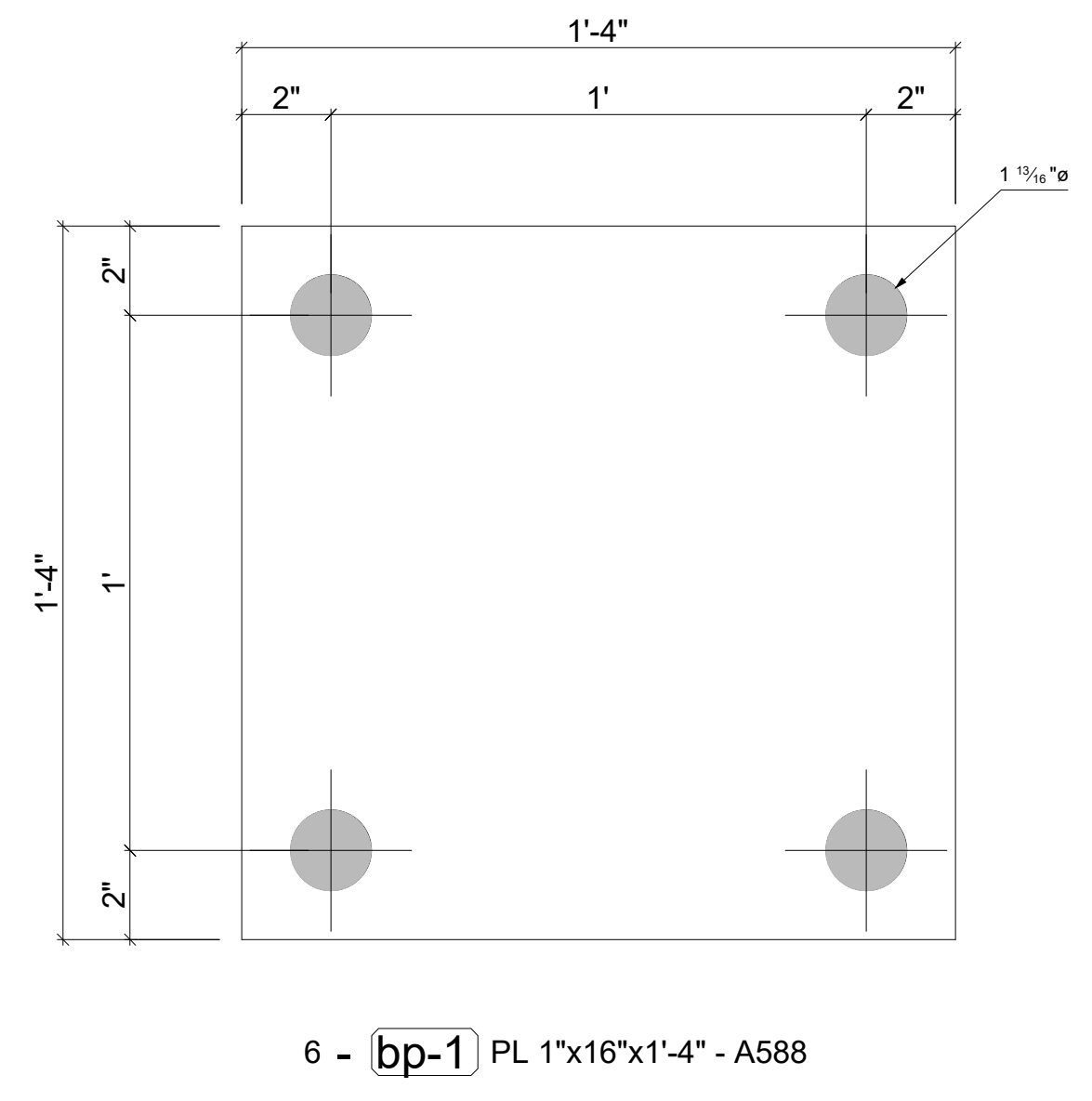


Mark	Quantity	Description	Length	Grade	Part weight	Total weight
STPL-1	24	PL 1/2"x3 3/4"x10 13/16"	10 13/16"	A588	5.67	136.18
	24					136.18
a-1	1	L4X4X1/4	31'-11 1/2"	A588	210.91	210.91
a-2	1	L4X4X1/4	31'-11 7/16"	A588	210.90	210.90
a-3	1	L4X4X1/4	23'-11"	A588	157.85	157.85
a-4	1	L6X4X5/16	11'-4 1/8"	A588	116.81	116.81
a-5	1	L6X4X5/16	11'-1 9/16"	A588	114.65	114.65
a-6	1	L6X4X5/16	10'-11 1/16"	A588	112.48	112.48
a-7	1	L6X4X5/16	10'-8 1/2"	A588	110.31	110.31
a-8	1	L6X4X5/16	10'-6"	A588	108.15	108.15
a-9	10	L6X4X5/16	6"	A588	5.15	51.50
b-1	4	W12x45	11'-11 3/16"	A588	536.86	2147.43
b-2	3	W12x45	31'-9/16"	A588	1397.04	4191.11
b-3	4	W4x13	31'-11 1/4"	A588	415.16	1660.66
b-4	2	W4x13	31'-11 1/4"	A588	415.16	830.33
	31					10023.10
bpl-1	6	PL 1"x16"x1"-4"	1'-4"	A588	72.60	435.61
bpl-1	2	10GA PLATE	20'-1/8"	A588	228.78	457.56
bpl-2	5	10GA PLATE	11'-10 7/8"	A588	280.59	1402.97
bpl-3	5	10GA PLATE	20'-5/16"	A588	472.32	2361.61
bpl-4	1	10GA PLATE	11'-10 3/4"	A588	135.91	135.91
bpl-5	1	10GA PLATE	11'-10 3/4"	A588	135.89	135.89
bpl-12	1	PL 3/8"x7 1/2"x23'-11"	23'-11"	A588	228.09	228.09
bpl-13	1	PL 5/16"x9 5/16"x10'-3 9/16"	10'-3 9/16"	A588	101.57	101.57
bpl-14	1	PL 5/16"x9 5/16"x24'-4 1/4"	24'-4 1/4"	A588	240.82	240.82
bpl-15	1	PL 5/16"x9 7/16"x11'-6 13/16"	11'-6 13/16"	A588	115.55	115.55
bpl-16	1	PL 5/16"x9 7/16"x24'-4"	24'-4"	A588	243.41	243.41
	25					5858.99
c-1	1	W12x45	15'-7 3/16"	A588	702.02	702.02
c-2	1	W12x45	14'-5 11/16"	A588	651.22	651.22
c-3	1	W12x45	13'-6 7/16"	A588	609.14	609.14
c-4	1	W12x45	12'-11 13/16"	A588	584.28	584.28
c-5	1	W12x45	11'-11 7/8"	A588	539.64	539.64
c-6	1	W12x45	10'-11 3/4"	A588	494.06	494.06
	6					3580.37
p1	24	PL 1/2"x2 3/4"x2 3/4"	2 3/4"	A588	0.82	19.70
pl-1	30	PL 3/8"x4"x4"	4"	A588	1.70	51.05
pl-2	18	PL 3/8"x4"x4"	4"	A588	1.70	30.63
pl-3	6	PL 1/2"x16"x1'-4"	1'-4"	A588	36.30	217.80
pl-4	6	PL 1/4"x3"x3"	3"	A588	0.64	3.83
pl-5	6	PL 1/4"x3"x4"	4"	A588	0.85	5.10
pl-6	1	SAGUARO RIB SCREEN	10'-2 5/8"	A588	348.49	348.49
pl-7	1	SAGUARO RIB SCREEN	24'-2 7/8"	A588	1023.34	1023.34
pl-8	1	WOVEN SHEET METAL 1/8"X1"X1"	19'-6"	A588	1001.90	1001.90
pl-9	1	WOVEN SHEET METAL 1/8"X1"X1"	5'-9 7/8"	A588	393.25	393.25
pl-10	1	SAGUARO RIB SCREEN	11'-5 7/8"	A588	737.71	737.71
pl-11	1	SAGUARO RIB SCREEN	24'-2 1/2"	A588	1358.21	1358.21
spl-1	4	PL 3/8"x4 1/2"x8 1/2"	8 1/2"	A588	4.06	16.26
spl-2	4	PL 3/8"x4 1/2"x8 1/2"	8 1/2"	A588	4.07	16.28
	104					5223.55

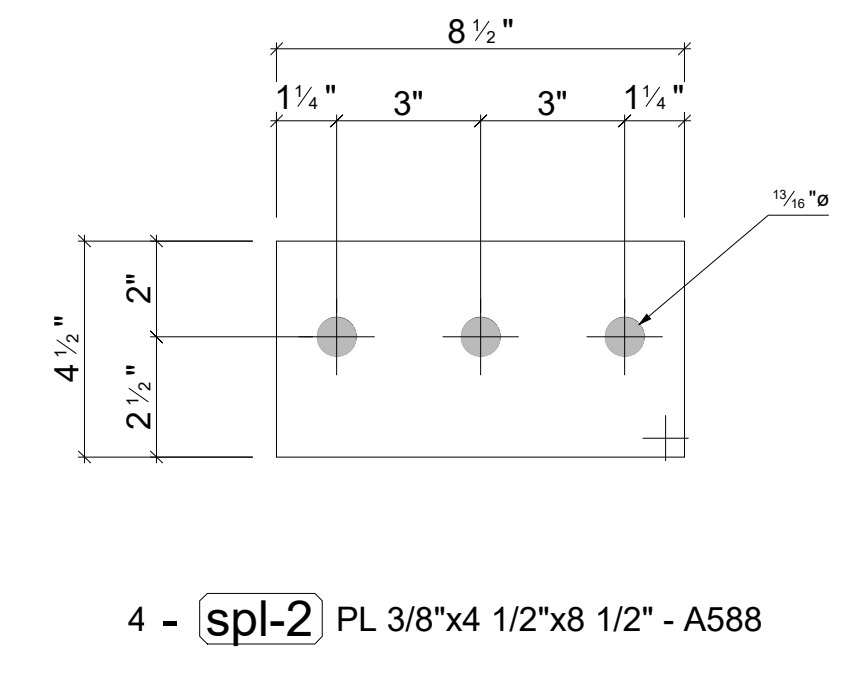
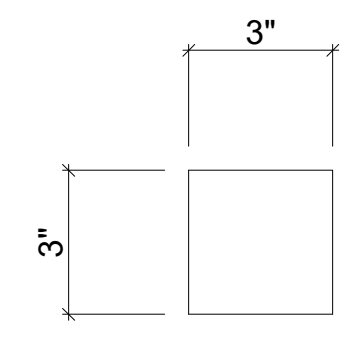
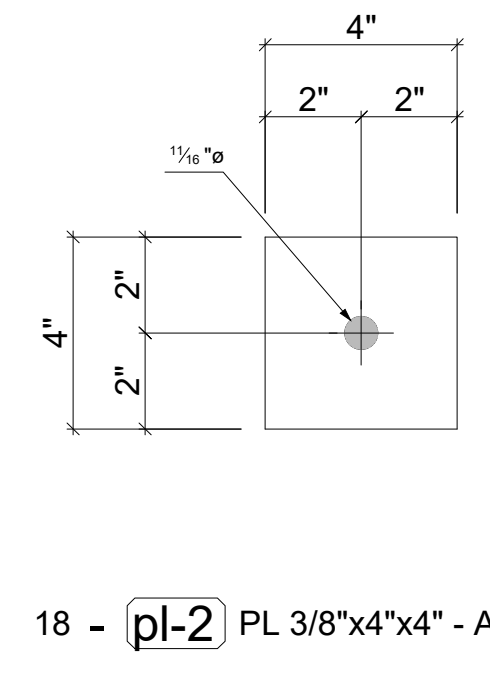
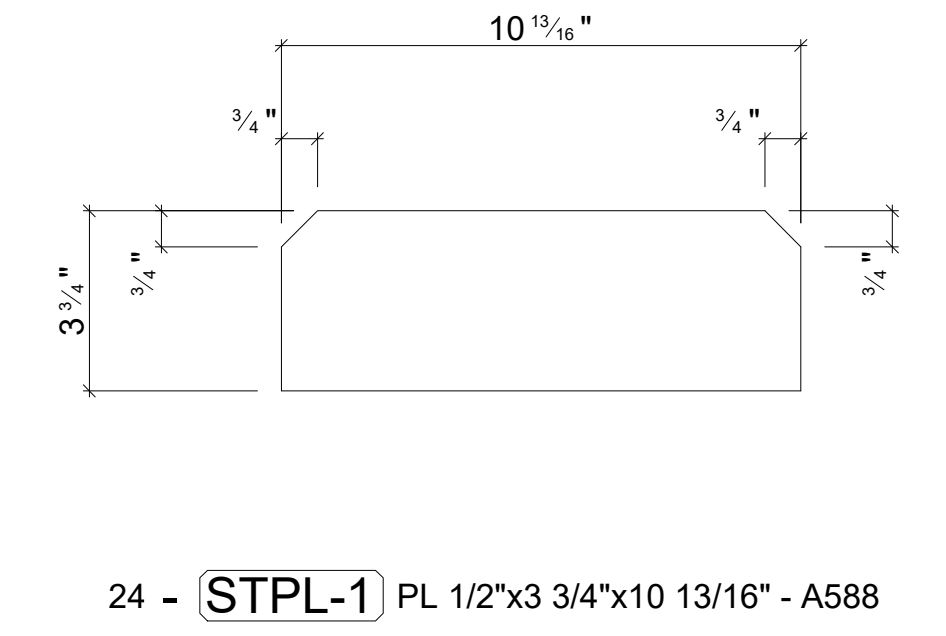
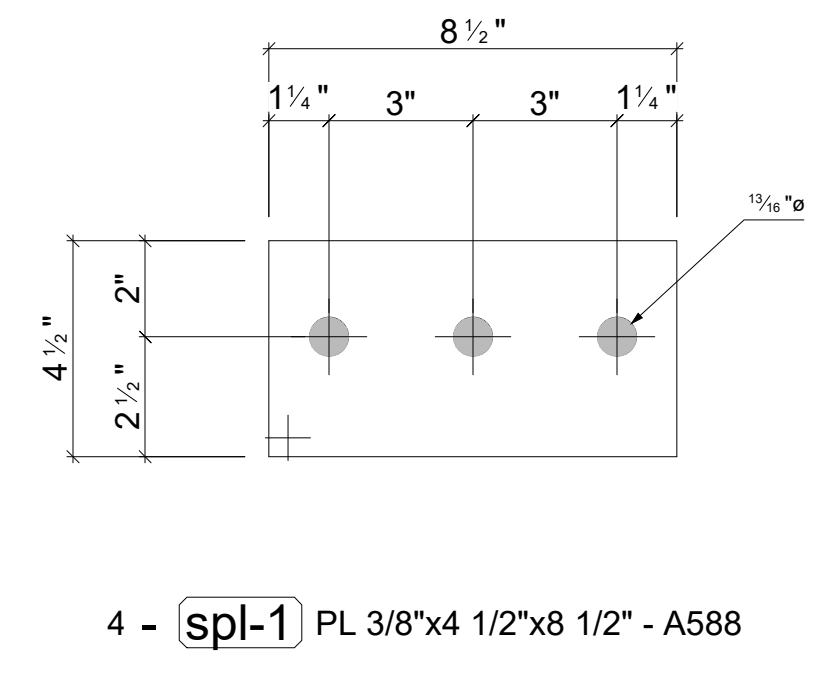
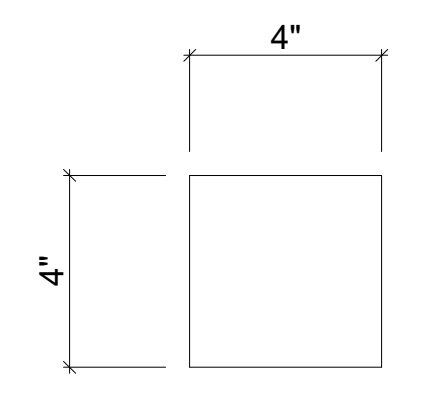
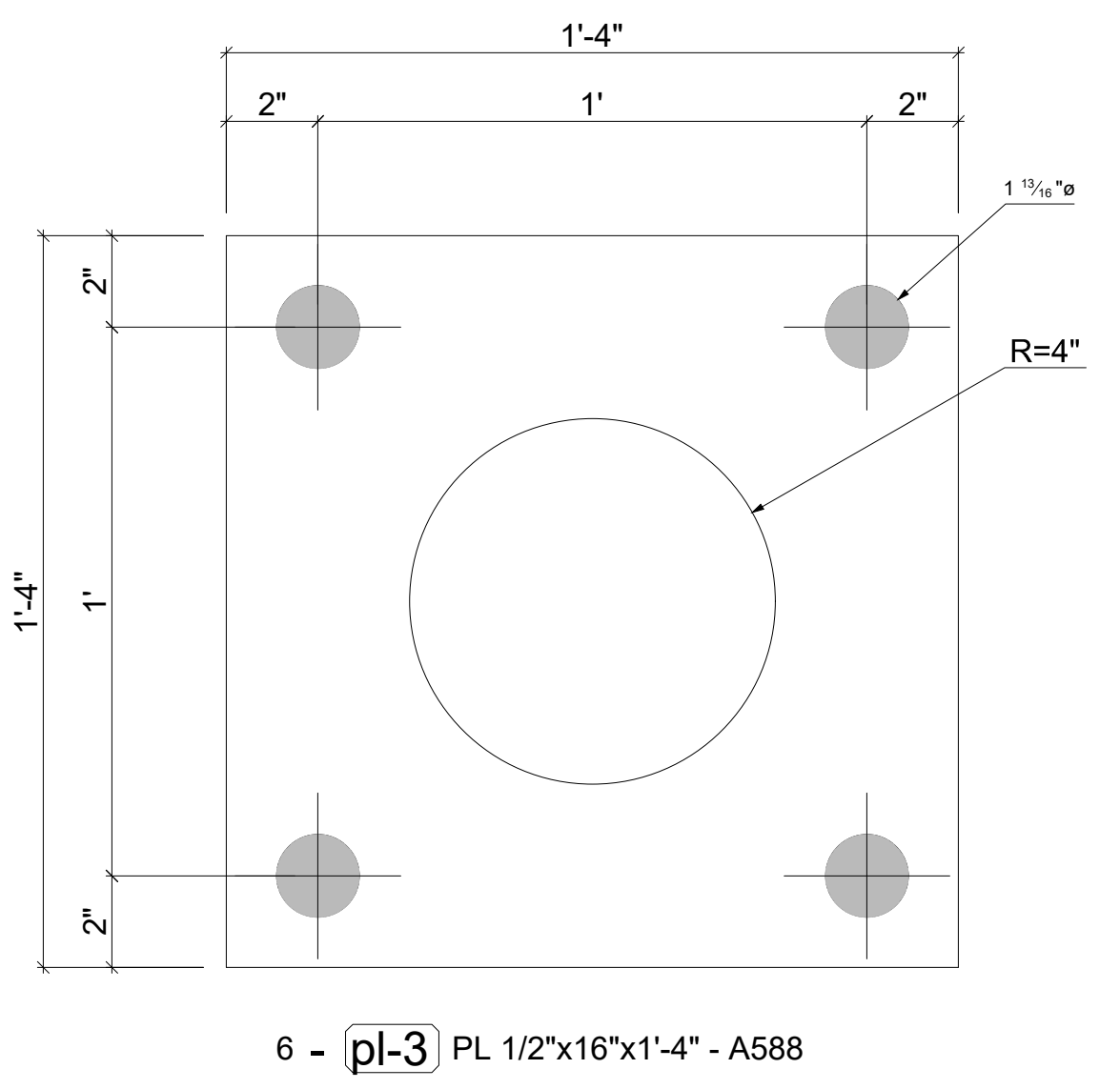
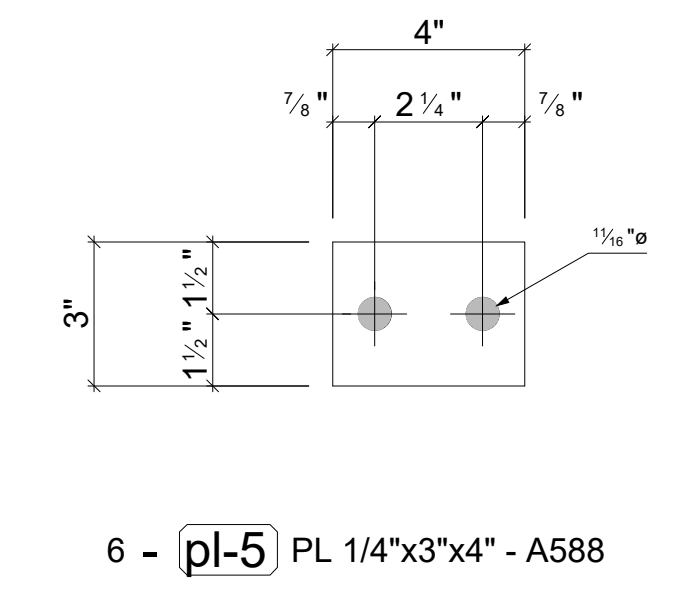
Mark	Quantity	Description	Length	Grade	Part weight	Total weight
STPL-1	24	PL 1/2"x3 3/4"x10 13/16"	10 13/16"	A588	5.67	136.18
bp-1	6	PL 1"x16"x1'-4"	1'-4"	A588	72.60	435.61
p1	24	PL 1/2"x2 3/4"x2 3/4"	2 3/4"	A588	0.82	19.70
pl-1	30	PL 3/8"x4"x4"	4"	A588	1.70	51.05
pl-2	18	PL 3/8"x4"x4"	4"	A588	1.70	30.63
pl-3	6	PL 1/2"x16"x1'-4"	1'-4"	A588	36.30	217.80
pl-4	6	PL 1/4"x3"x3"	3"	A588	0.64	3.83
pl-5	6	PL 1/4"x3"x4"	4"	A588	0.85	5.10
spl-1	4	PL 3/8"x4 1/2"x8 1/2"	8 1/2"	A588	4.06	16.26
spl-2	4	PL 3/8"x4 1/2"x8 1/2"	8 1/2"	A588	4.07	16.28
					128	932.43

F  
E  
D  
C  
B  
A

F  
E  
D  
C  
B  
A



NOTE:  
PLATE WASHER OF BASEPLATE



8 7 6 5 4 3 2 1