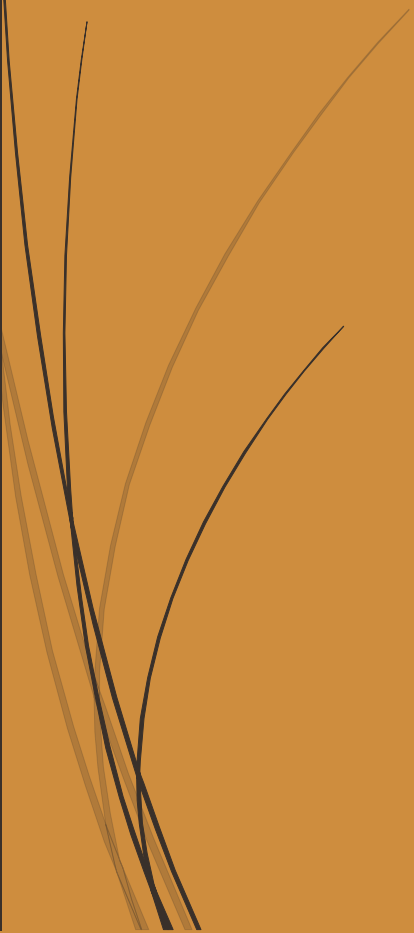




# Portfolio

Iftakhar Amin

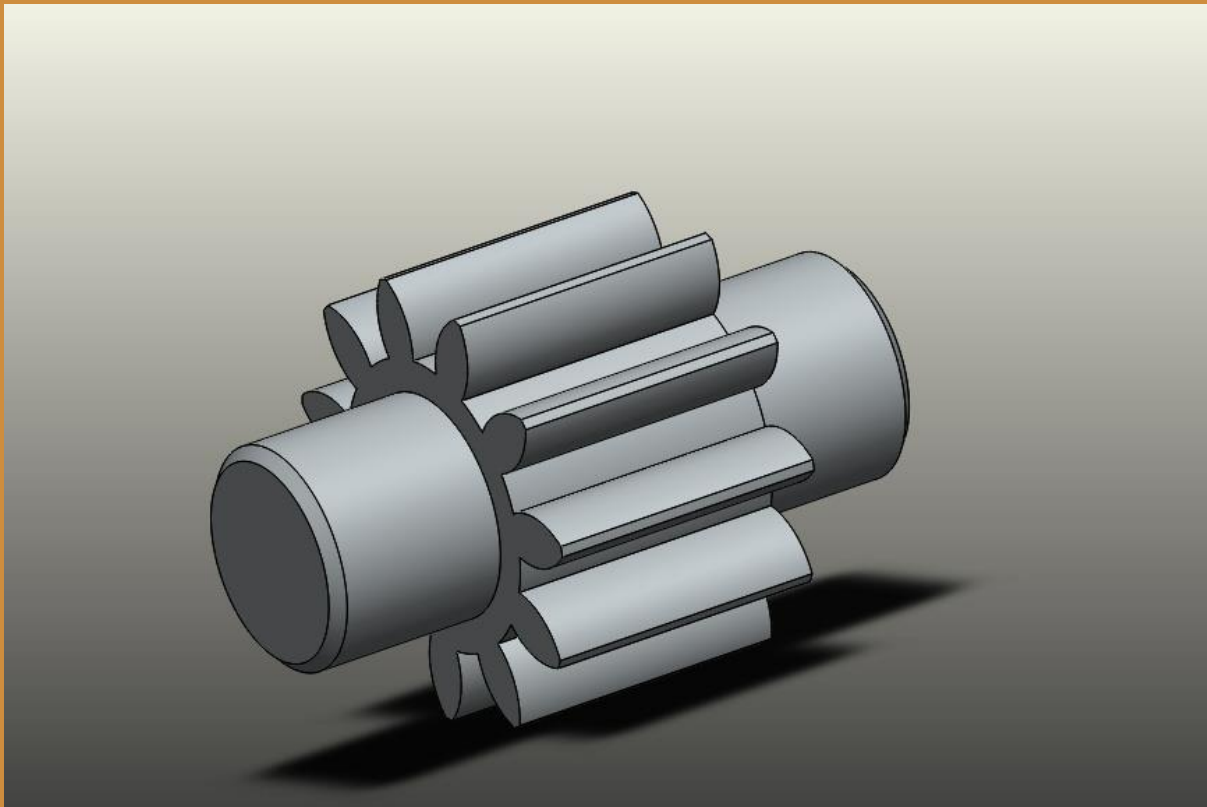
BSC in Mechanical Engineering ;  
Bangladesh Army University of  
Science & Technology.



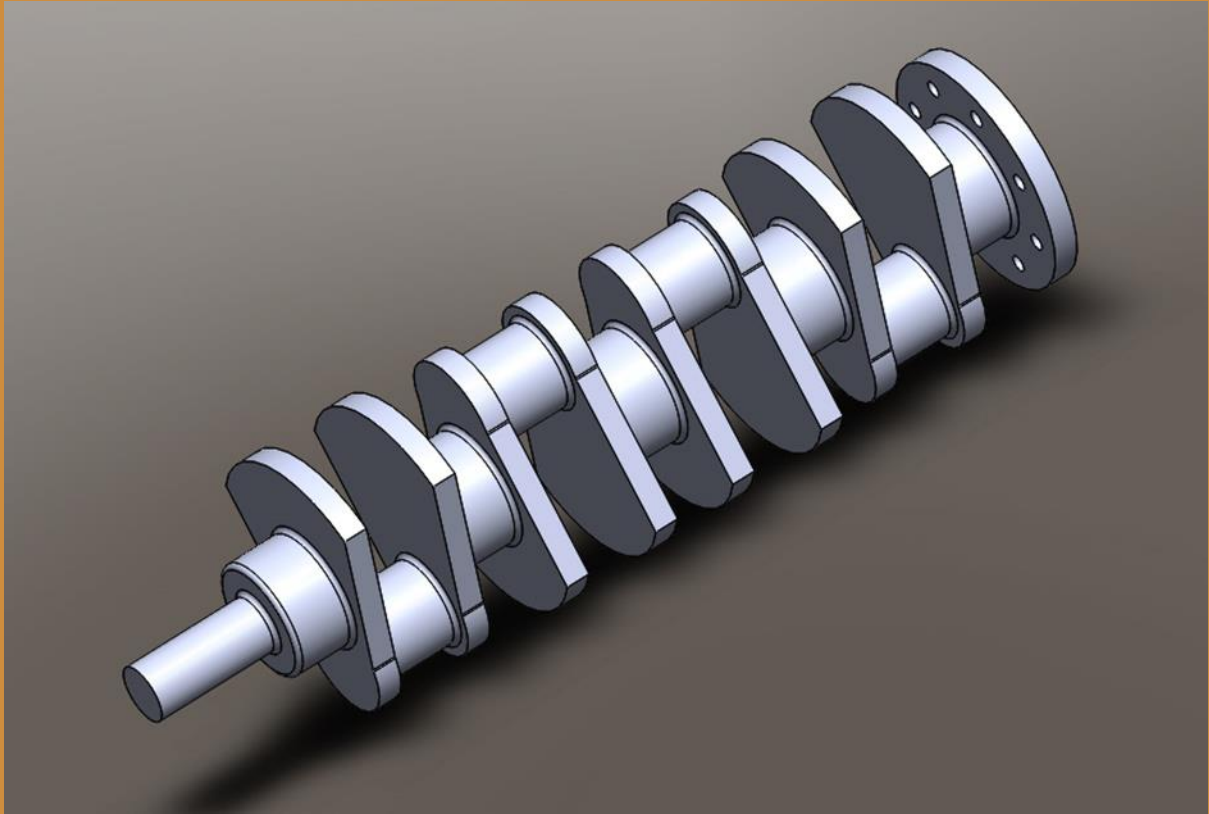
(1) Connecting Rod.



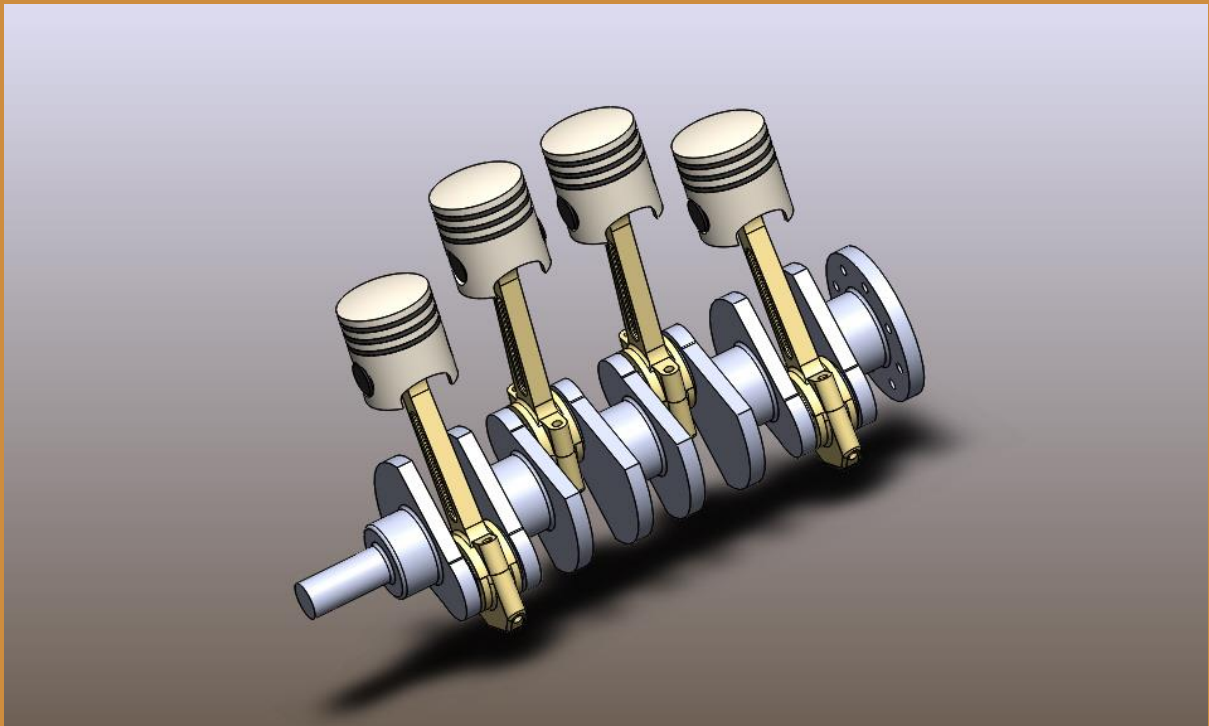
(2) Gear



### (3) Shaft.



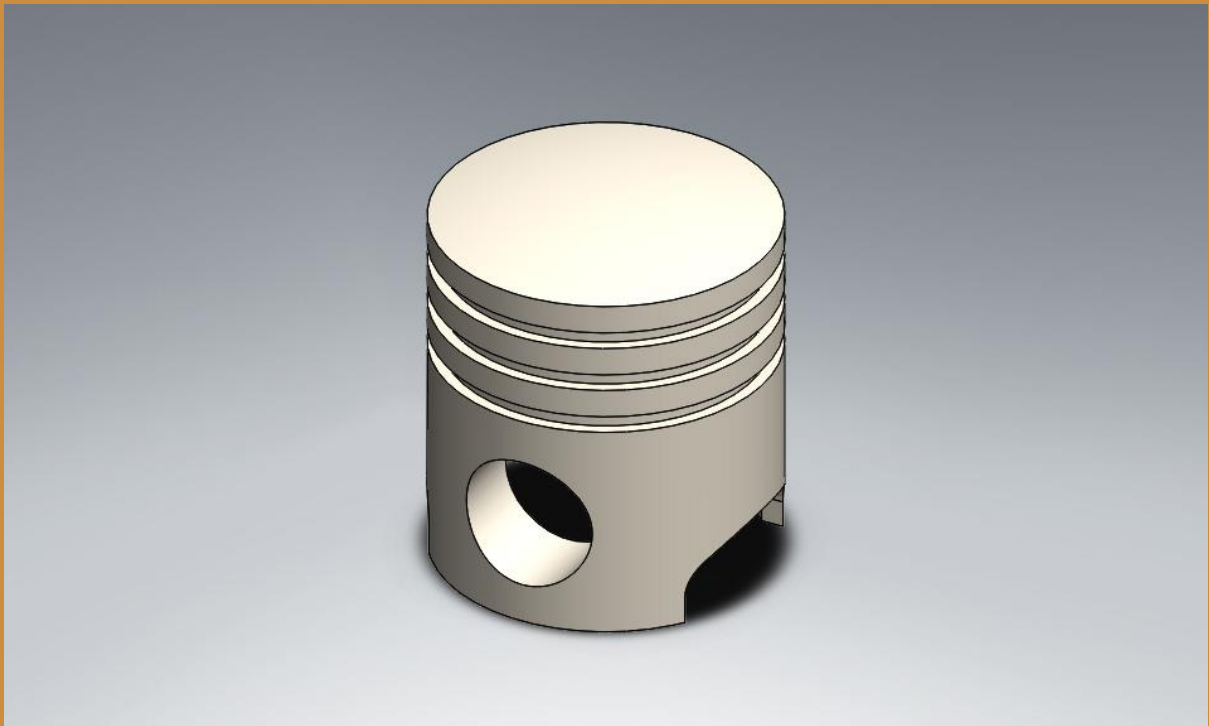
### (4) Stroke Engine



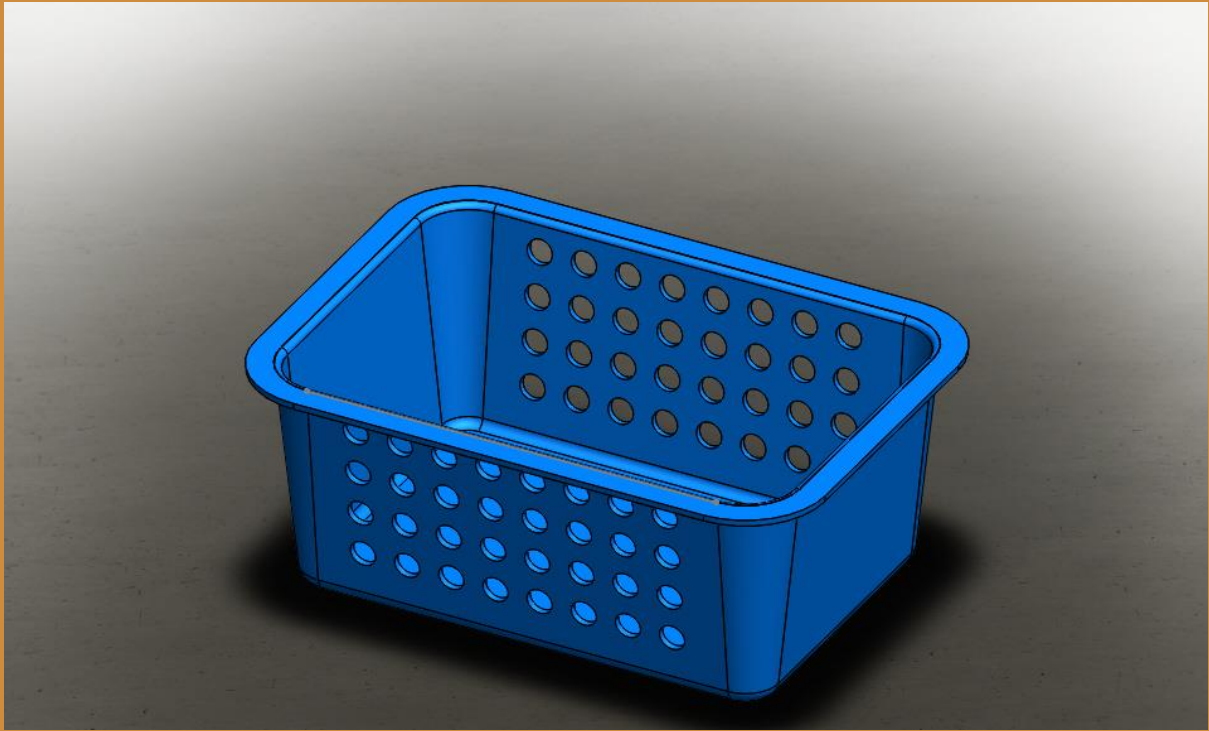
## (5) Helical Gear



## (6) Piston



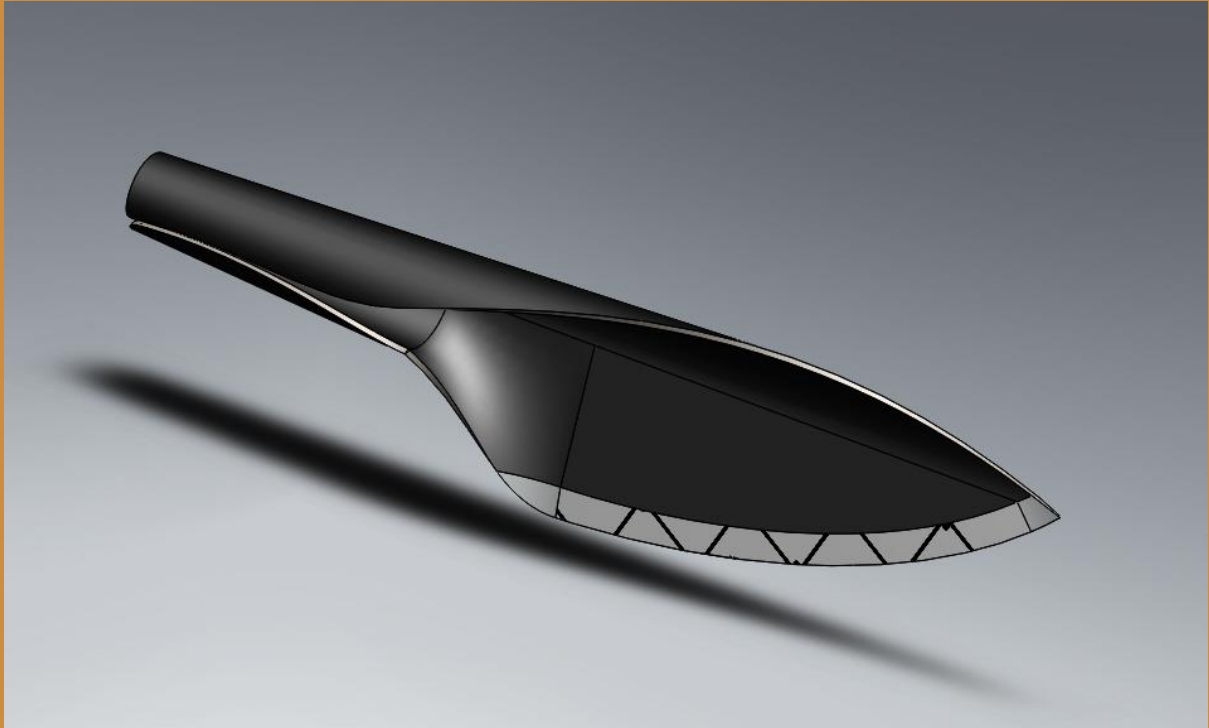
(7) Basket.



(8) Head Phone

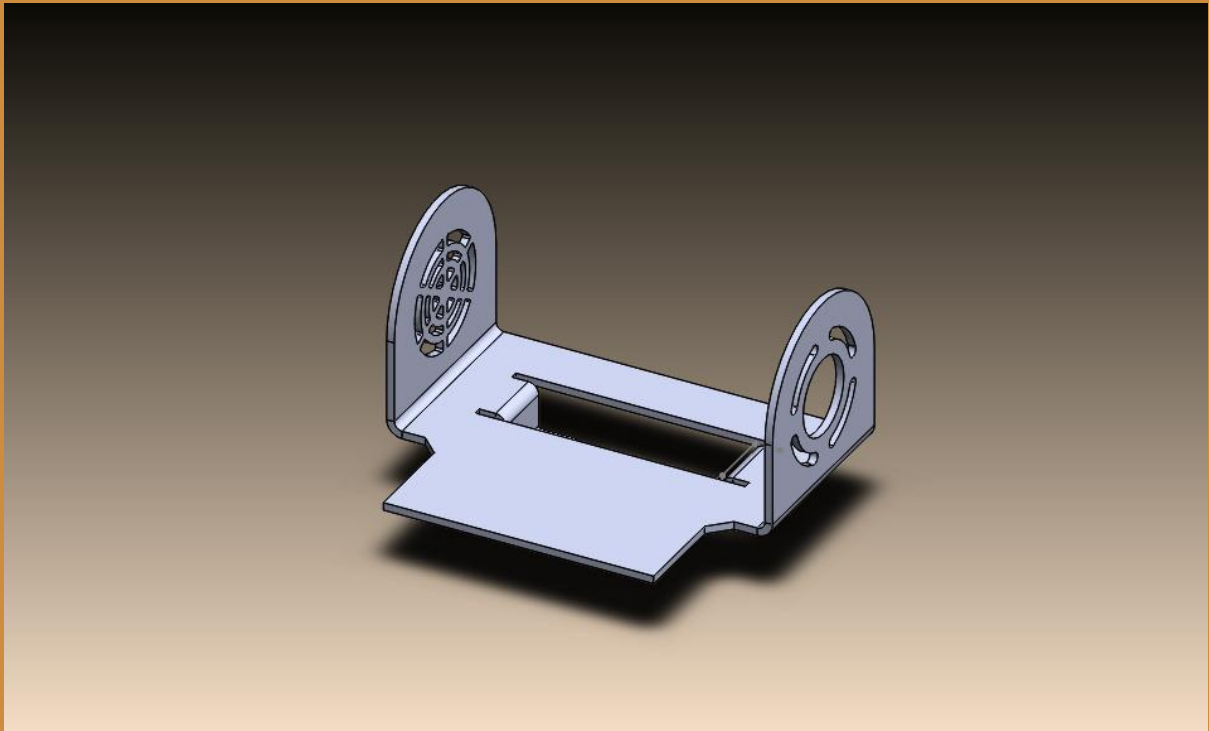


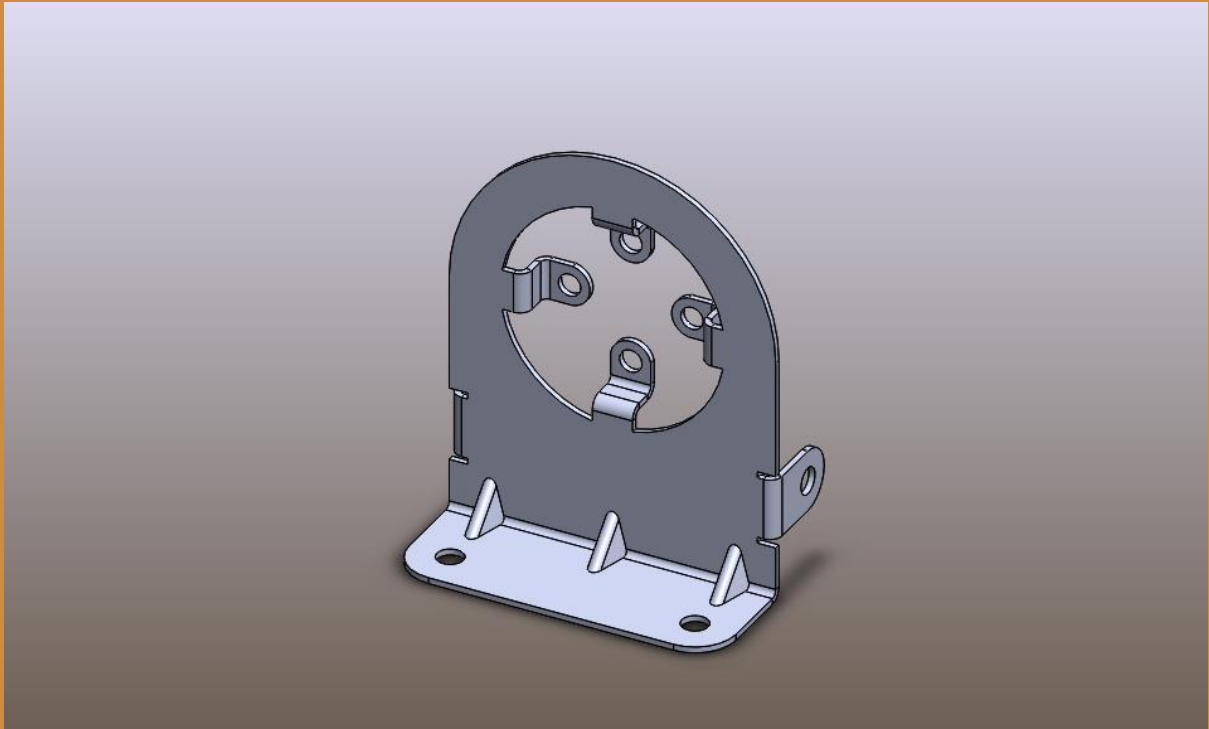
(9) Knife



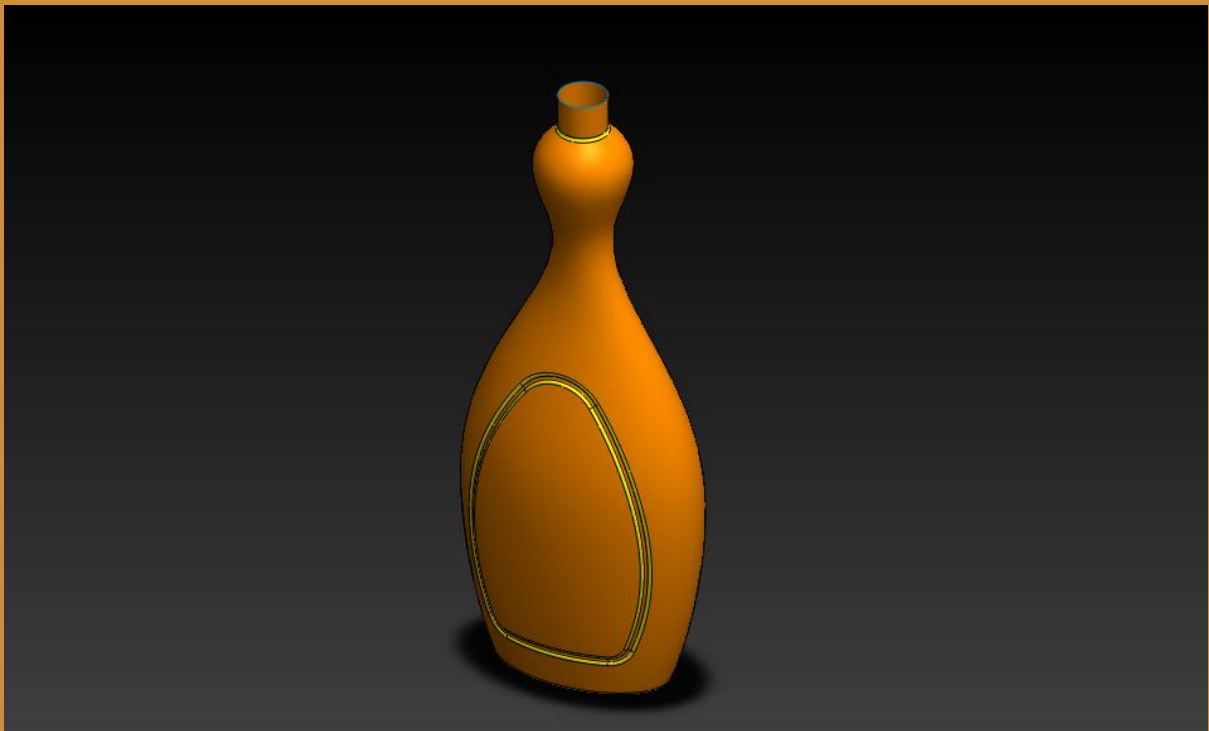
(10) Spoon



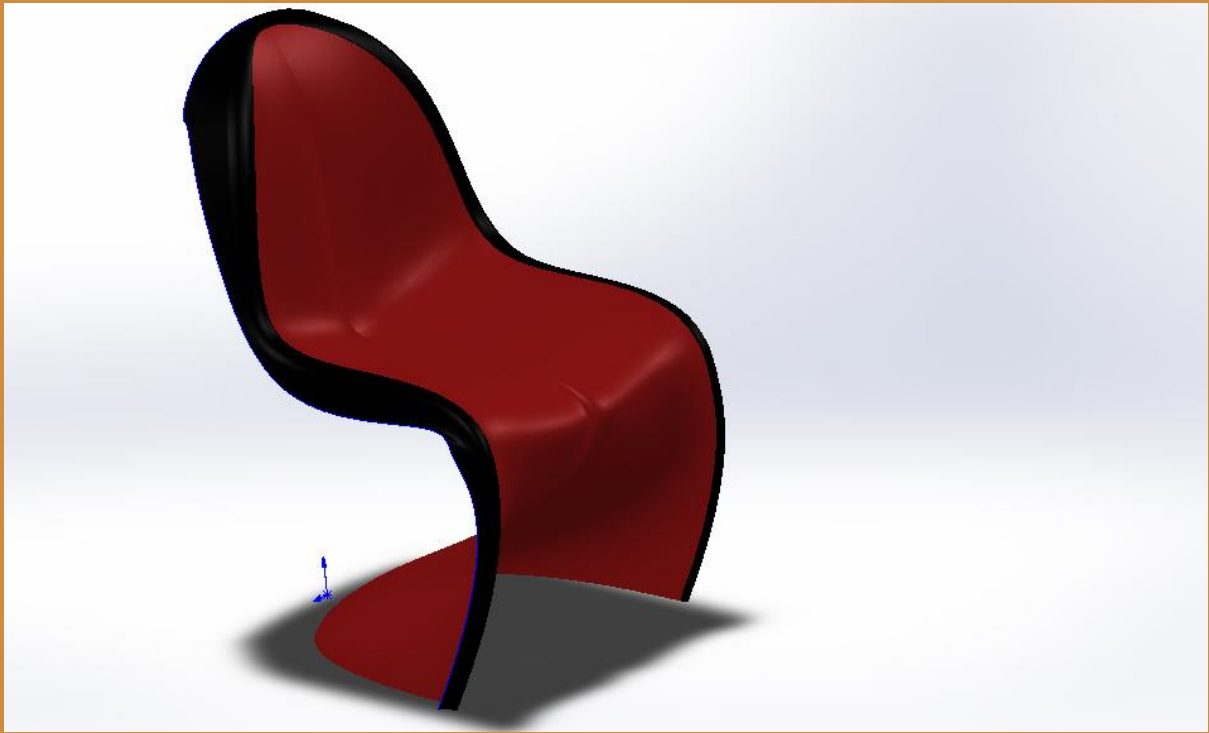




( ) Simple Bottle







( ) Wooden Table

