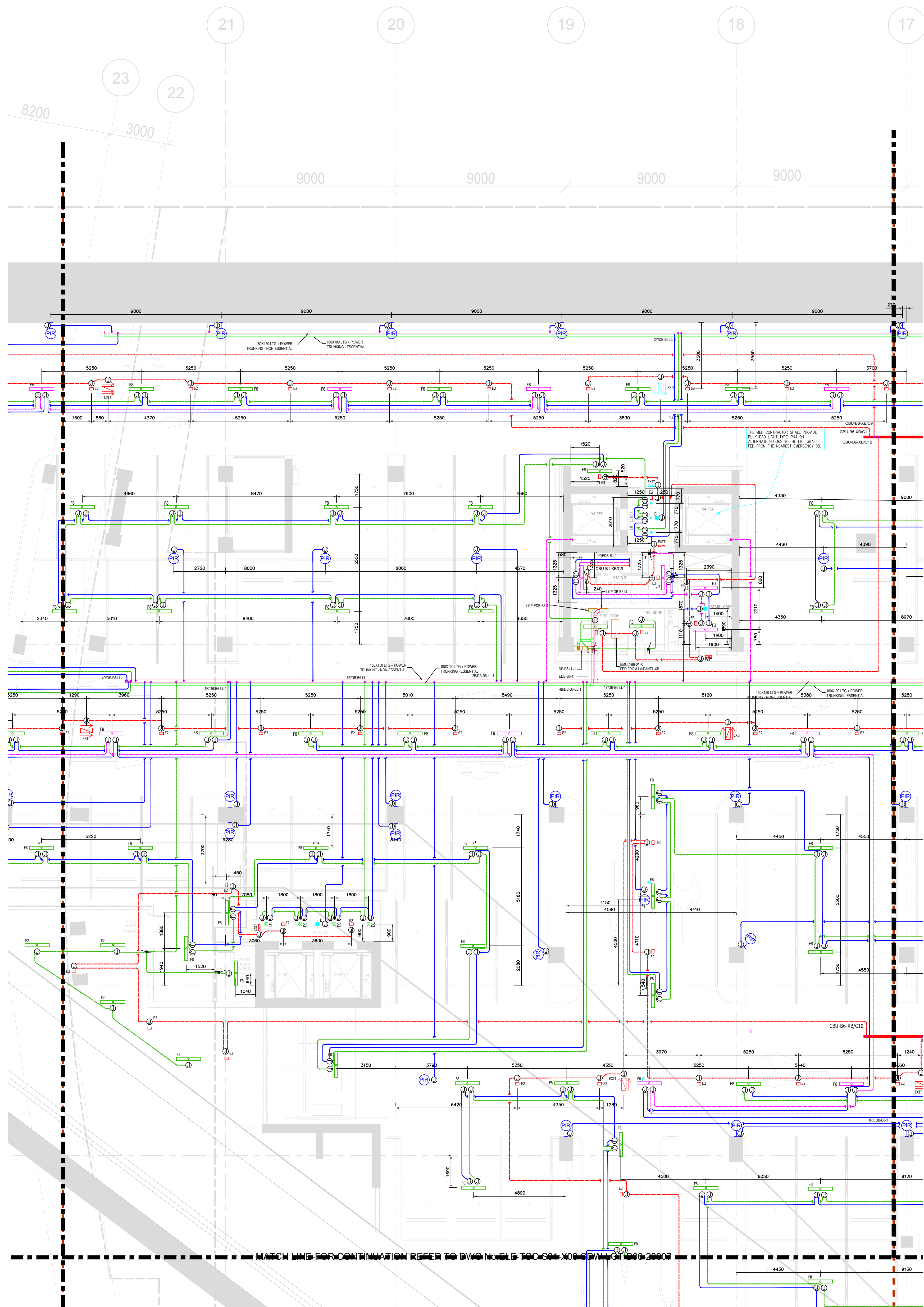


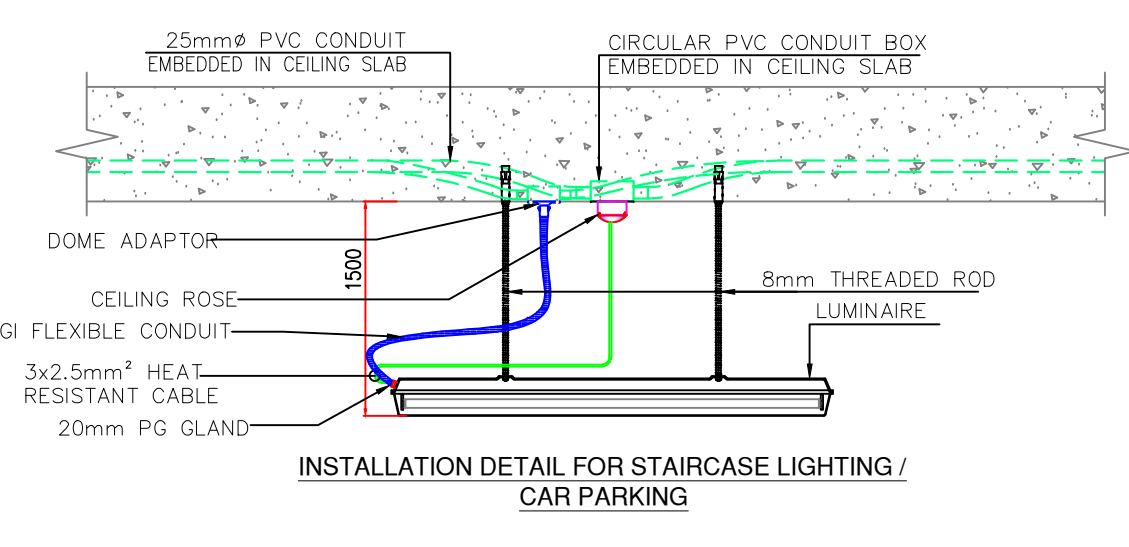
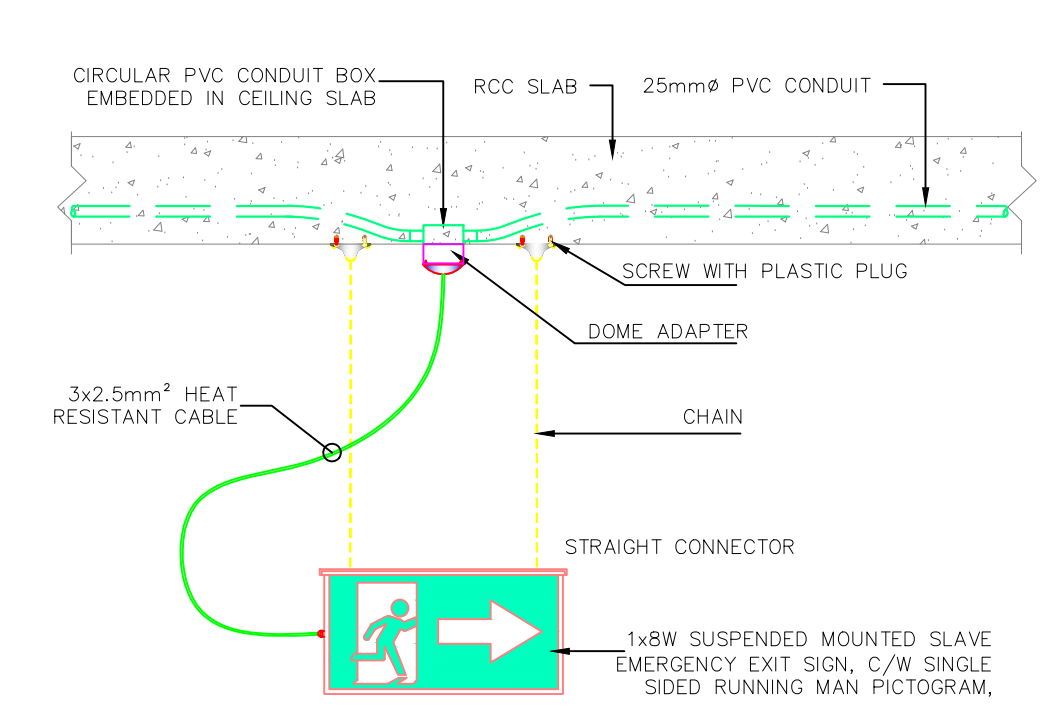
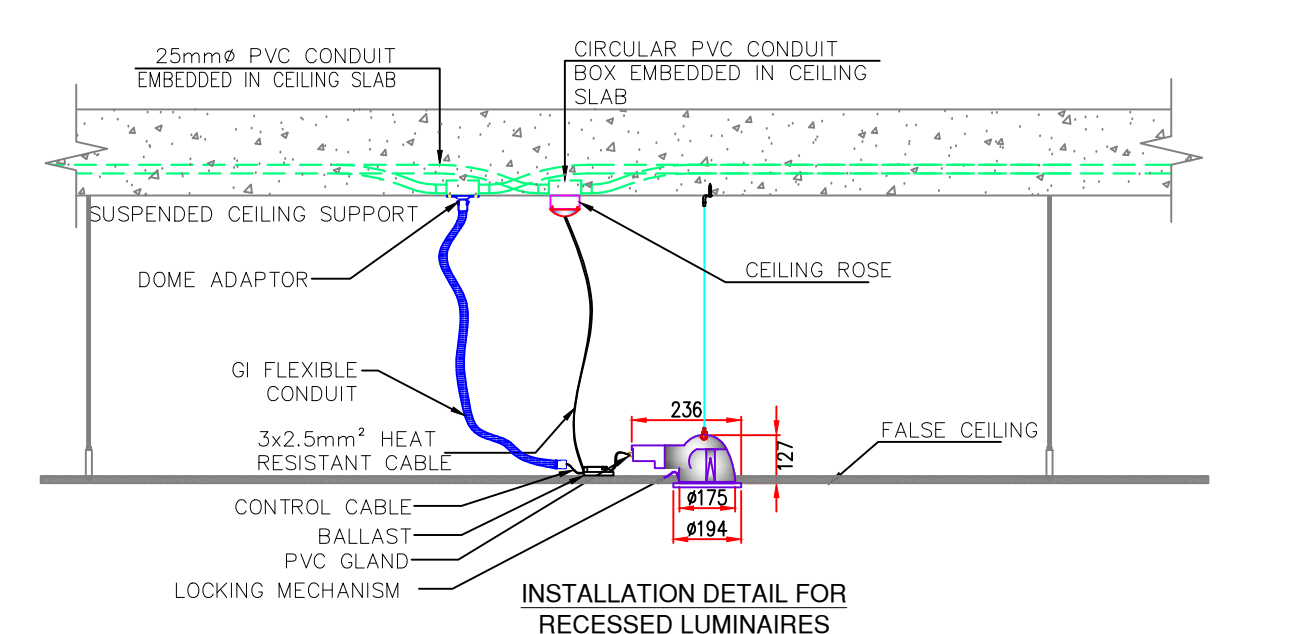
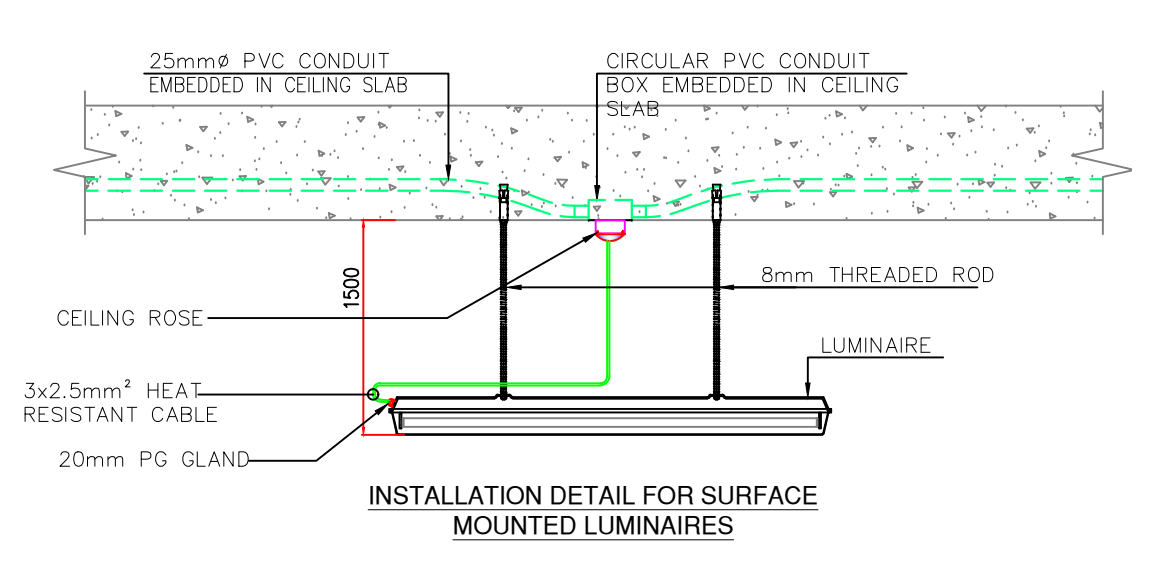
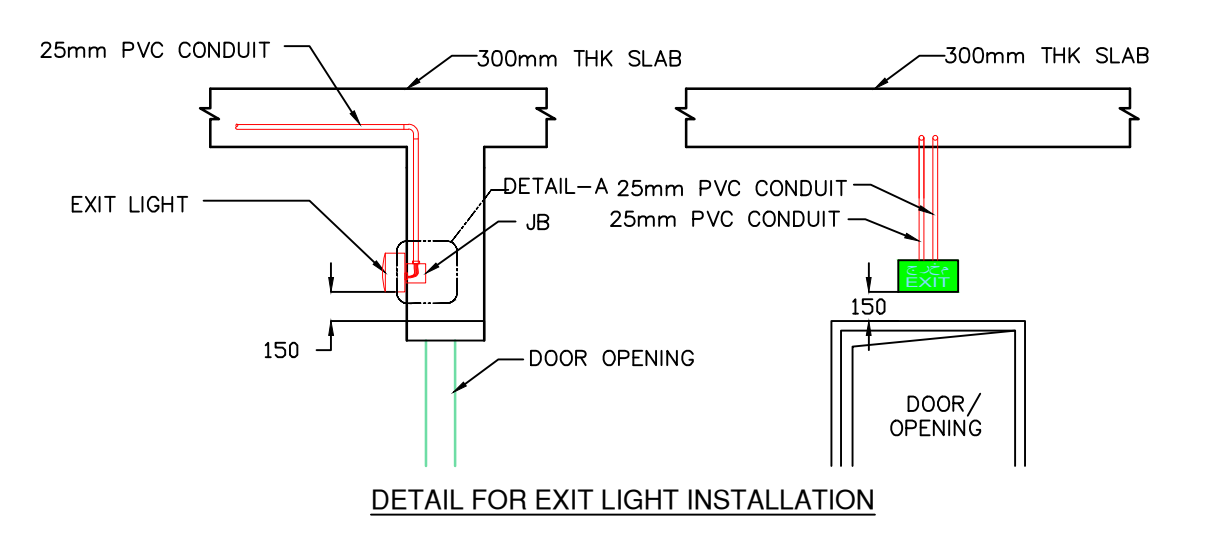
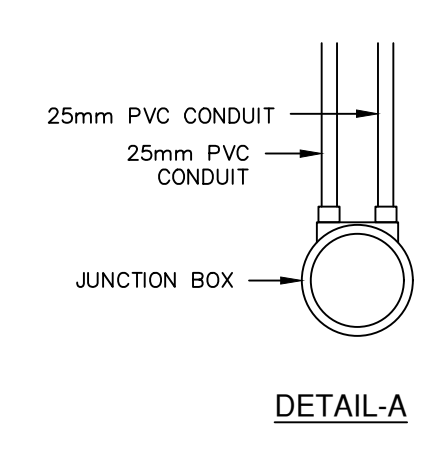
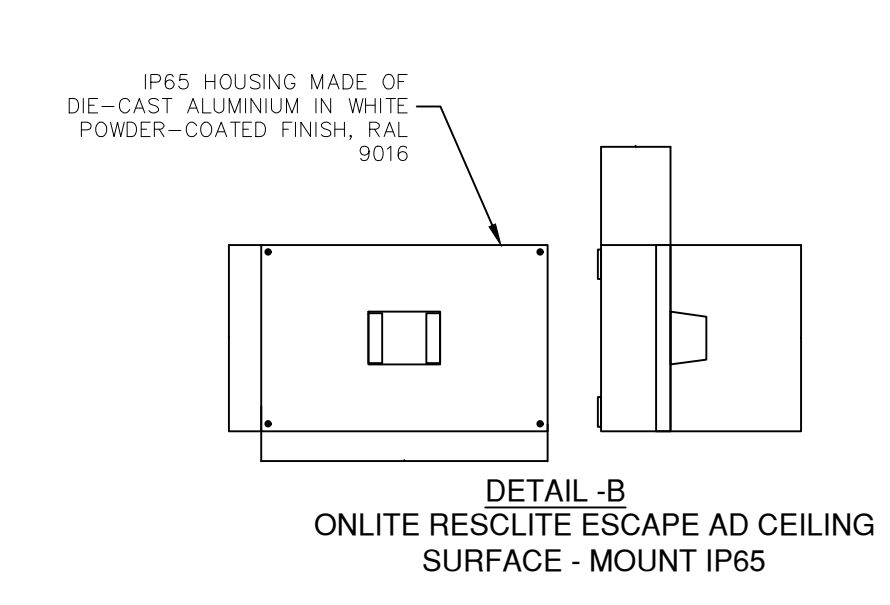
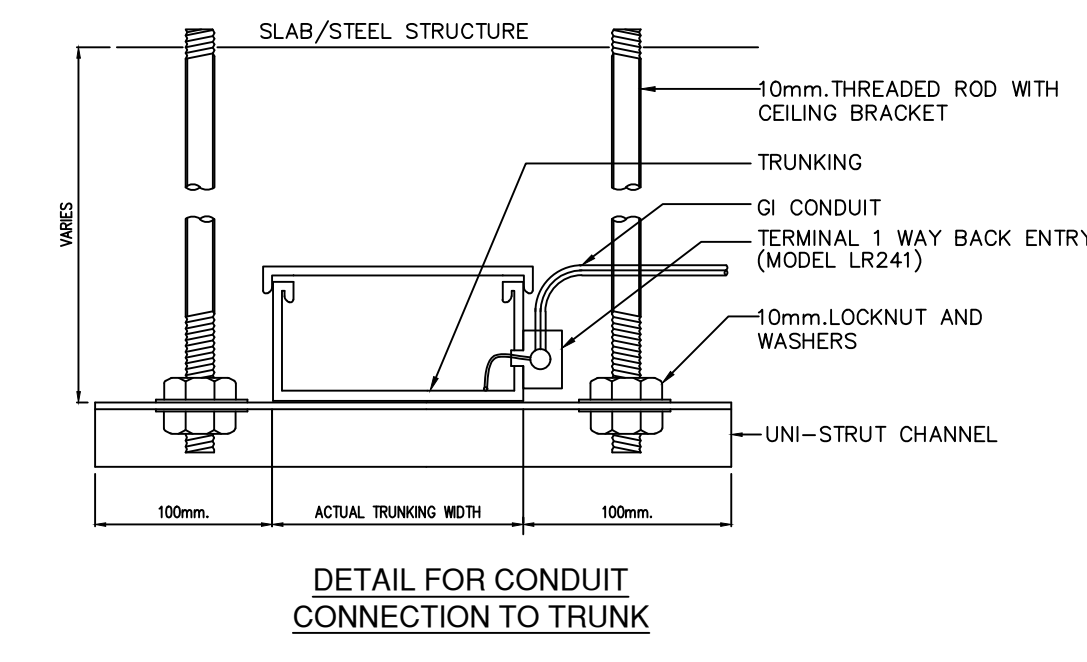
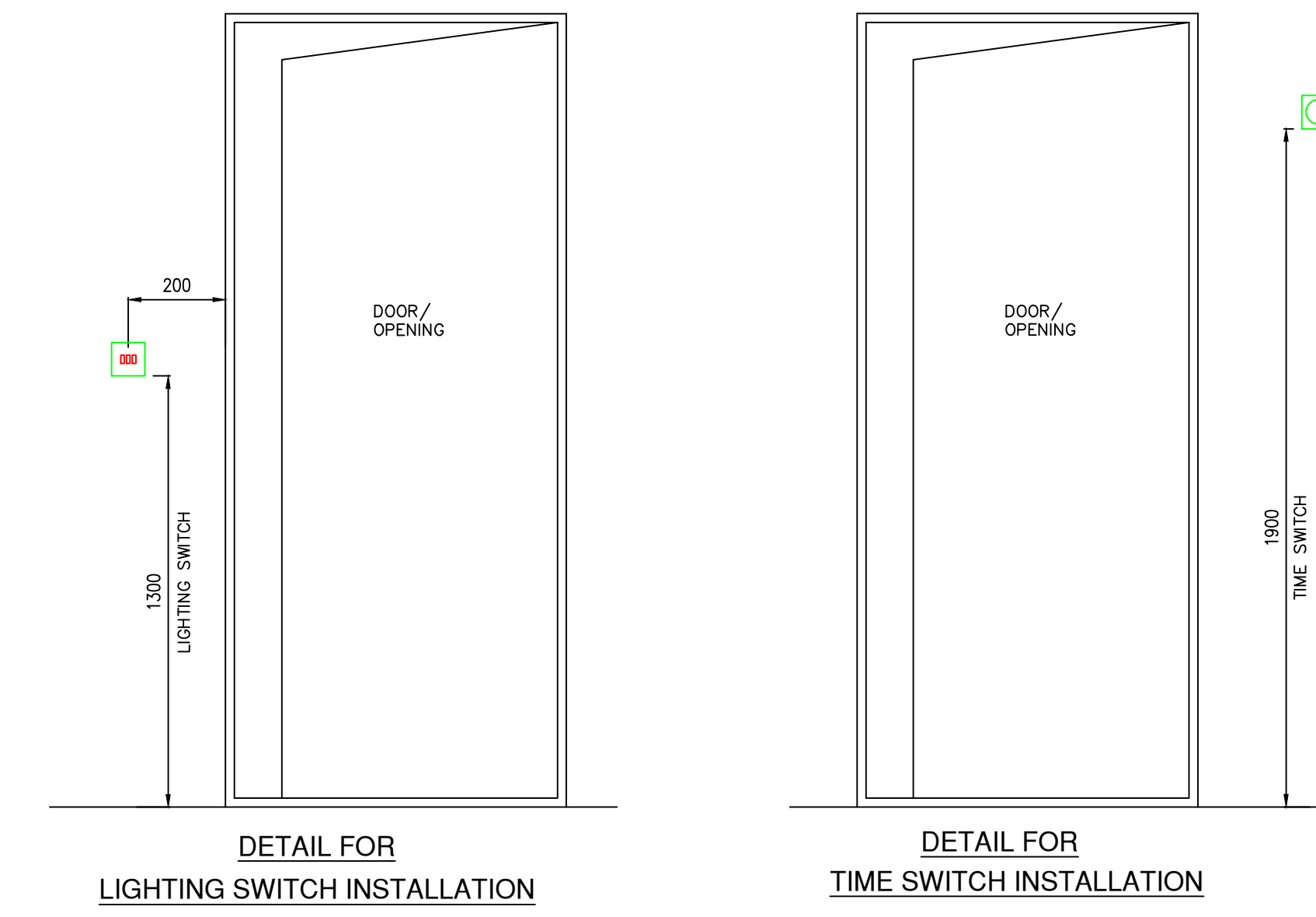
MATCH LINE FOR CONTINUATION REFER TO DWG No. ELE-TCC-S01-W02-SDW-LGT-B06-20005



MATCH LINE FOR CONTINUATION REFER TO DWG No. ELE-TCC-S01-X03-SDW-LGT-B06-20003

REFERENCE DRAWINGS	
STANDARD NOTES - ELECTRICAL	P4 DWG-XX-XX-EEG-RAM-0100
STANDARD LEGEND - ELECTRICAL	P4 DWG-XX-XX-EEG-RAM-0101
STANDARD DETAILS - ELECTRICAL	P4 DWG-XX-XX-EEG-RAM-0200 TO P4 DWG-XX-XX-EEG-RAM-0208
LIGHTING CONTROL SCHEMATIC	P4B DWG-X04-01-EEL-RAM-4100_C0
FIRE AND LIFE SAFETY PLAN	P4B DWG-XX-XX-FLS-RAM-2004_C0

LEGEND	
SYMBOL	DESCRIPTION
	NORMAL FLUORESCENT LIGHT (FED FROM DB)
	FLUORESCENT LIGHT (FED FROM EDB)
	DOWNLIGHT (FED BY EMERGENCY DB)
	DOWNLIGHT
	PRESENCE DETECTOR
	PASSIVE INFRARED SENSOR
	ONE WAY LIGHT SWITCH
	TWO WAY LIGHT SWITCH
	TIME SWITCH (MOUNTED AT 1900mm)
	WALL MOUNTED EXIT LIGHT
	CEILING MOUNTED EXIT LIGHT
	25mmØ PVC CONDUIT EMBEDDED IN CEILING SLAB (NORMAL LIGHTING)
	25mmØ PVC CONDUIT EMBEDDED IN CEILING SLAB (EMERGENCY LIGHTING FROM EDB)
	25mmØ PVC CONDUIT EMBEDDED IN CEILING SLAB (FROM DB)
	25mmØ PVC CONDUIT EMBEDDED IN CEILING SLAB (FOR LIGHTING CONTROL)
	DISTRIBUTION BOARD (DB) @ 1800mm FROM F.F.L TO TOP OF THE PANEL
	100x100mm LIGHTING + POWER TRUNKING ESSENTIAL
	150x150mm LIGHTING + POWER TRUNKING NON ESSENTIAL
	100x100mm CBU TRAY
	STANDARD CIRCULAR JUNCTION BOX



0 PHASE 4-AREA 4A BASEMENT 6 / BLOCK X04 LIGHTING EMBEDDED LAYOUT
B06-20004 SCALE 1:100