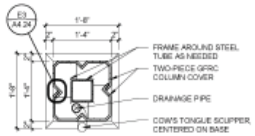


PRELIMINARY  
TAKE OFF

PROJECT: CHARLOTTE COUNTY COURTHOUSE  
 ESTIMATOR: Lenny DATE: JUNE 14, 2016  
 GRFP  GFRC  GFRG  GFRS  CAST STONE  OTHERS

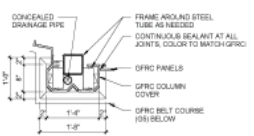
ITEM # **29** NAME: 2-PIECE GFRC COLUMN COVER  
 LINEAR  PIECE  CYLIND.  
 Mold Class: 1 2 3 4 5 6 Special \_\_\_\_\_  
 PLANS: FLOOR: \_\_\_\_\_  
 RCP: \_\_\_\_\_  
 ELEVATIONS: LOWER COLUMN AT WALKWAY  
 DETAILS: A4.24  
 CAPITAL PROFILE:  
 SIZE: 1'-8" X 1'-8"  
 HEIGHT: 7 1/2"  
 LINEAR PROFILE: 2"+2"+3"+2 1/2"  
 BASE PROFILE:  
 SIZE: 1'-8" X 1'-8"  
 HEIGHT: 4"  
 LINEAR PROFILE: 2" + 2"(45 DEG.)+2"  
 SHAFT PROFILE:  
 SIZE: 1'-4" X 1'-4"  
 HEIGHT: 7'-2 1/2"



**GFRC COLUMN COVER**  
 (D38) (A4.24) 3/4" = 1'-0"

LINEAR FT: \_\_\_\_\_ QTY: 4

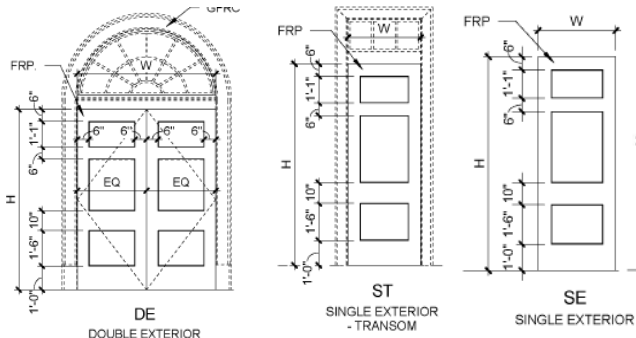
ITEM # **30** NAME: 2-PIECE GFRC COLUMN COVER  
 LINEAR  PIECE  CYLIND.  
 Mold Class: 1 2 3 4 5 6 Special \_\_\_\_\_  
 PLANS: FLOOR: \_\_\_\_\_  
 RCP: \_\_\_\_\_  
 ELEVATIONS: UPPER COLUMN AT WALKWAY  
 DETAILS: A4.24  
 CAPITAL PROFILE:  
 SIZE: 1'-8" X 1'-8"  
 HEIGHT: 7 1/2"  
 LINEAR PROFILE: 2"+2"+3"+2 1/2"  
 BASE PROFILE:  
 SIZE: 1'-8" X 1'-8"  
 HEIGHT: 4"  
 LINEAR PROFILE: 2" + 2"(45 DEG.)+2"  
 SHAFT PROFILE:  
 SIZE: 1'-4" X 1'-4"  
 HEIGHT: 6'-6 1/2"



**GFRC COLUMN COVER**  
 (D38) (A4.24) 3/4" = 1'-0"

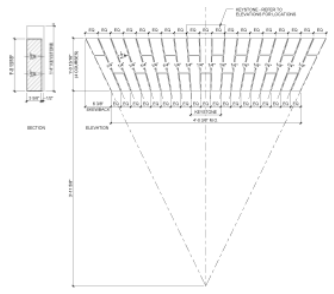
LINEAR FT: \_\_\_\_\_ QTY: 4

ITEM # **31** NAME: FRP DOOR  
 LINEAR  PIECE  CYLIND.  
 Mold Class: 1 2 3 4 5 6 Special \_\_\_\_\_  
 PLANS: FLOOR: LOWER LVL./GROUND LVL  
 RCP: \_\_\_\_\_  
 ELEVATIONS: \_\_\_\_\_  
 DETAILS: A5.10  
 LOWER LVL:  
 SE TYPE : W 3'-3" X H 8'-6 1/2" X T 1 3/4" (FINISH: POLY) = 2 EA.  
 GROUND LVL:  
 DE TYPE: W 6'-0" X H 8'-1 1/2" X T 1 3/4" (FIN: POLY) = 1 EA.  
 ST TYPE: W 3'-0" X H 8'-1 1/2" X T 1 3/4" (FIN: POLY) = 1 EA.



LINEAR FT: \_\_\_\_\_ QTY: 4

ITEM # **32** NAME: KEYSTONE  
 LINEAR  PIECE  CYLIND.  
 Mold Class: 1 2 3 4 5 6 Special \_\_\_\_\_  
 PLANS: FLOOR: LOWER LVL. WINDOWS  
 RCP: \_\_\_\_\_  
 ELEVATIONS: \_\_\_\_\_  
 DETAILS: A4.21  
 SECTION AREA PROFILE: 0.14 SQ.FT.  
 WIDTH: TOP 9 3/8" / BOTTOM 7 1/2"  
 HEIGHT: 1'-4" (3 3/8")  
 THK: 3 5/8" + 1/2"



**JACK ARCH - LOWER LEVEL**  
 (D31) (A4.21) 1/4" = 1'-0"

LINEAR FT: \_\_\_\_\_ QTY: 10

PRELIMINARY  
TAKE OFF

PROJECT: CHARLOTTE COUNTY COURTHOUSE  
 ESTIMATOR: Lenny DATE: JUNE 14,2016  
 GRFP  GFRC  GFRG  GFRS  CAST STONE  OTHERS

ITEM # **33** NAME: **KEYSTONE**  
 LINEAR  PIECE  CYLIND.  
 Mold Class: 1 2 3 4 5 6 Special \_\_\_\_\_  
 PLANS: FLOOR: UPPER LVL WINDOWS  
 RCP: \_\_\_\_\_  
 ELEVATIONS: \_\_\_\_\_  
 DETAILS: A4.21  
 SECTION AREA PROFILE: 0.13 SQ.FT.  
 WIDTH: TOP 9 3/8" / BOTTOM 7 1/2"  
 HEIGHT: 1'-4" (3 3/8")  
 THK: 3 5/8"+1/2"

SECTION AREA PROFILE: 0.13 SQ.FT.  
 WIDTH: TOP 9 3/8" / BOTTOM 7 1/2"  
 HEIGHT: 1'-4" (3 3/8")  
 THK: 3 5/8"+1/2"

LINEAR FT: \_\_\_\_\_ QTY: 75

ITEM # **34** NAME: **KEYSTONE**  
 LINEAR  PIECE  CYLIND.  
 Mold Class: 1 2 3 4 5 6 Special \_\_\_\_\_  
 PLANS: FLOOR: FRONT PORTICO WINDOWS  
 RCP: \_\_\_\_\_  
 ELEVATIONS: \_\_\_\_\_  
 DETAILS: A4.21  
 SECTION AREA PROFILE: 0.47 SQ.FT.  
 WIDTH: TOP 1'-1" / BOTTOM 9"  
 HEIGHT: 1'-4" (3 3/8")  
 THK: 3 5/8"+1/2"

SECTION AREA PROFILE: 0.47 SQ.FT.  
 WIDTH: TOP 1'-1" / BOTTOM 9"  
 HEIGHT: 1'-4" (3 3/8")  
 THK: 3 5/8"+1/2"

LINEAR FT: \_\_\_\_\_ QTY: 9

ITEM # **35** NAME: **KEYSTONE**  
 LINEAR  PIECE  CYLIND.  
 Mold Class: 1 2 3 4 5 6 Special \_\_\_\_\_  
 PLANS: FLOOR: HALF ROUND WINDOWS AT FRONT  
 RCP: \_\_\_\_\_  
 ELEVATIONS: \_\_\_\_\_  
 DETAILS: A4.21  
 SECTION AREA PROFILE: 0.12 SQ.FT.  
 WIDTH: TOP 1'-1" / BOTTOM 9"  
 HEIGHT: 1'-4" (3 3/8")  
 THK: 3 5/8"+1/2"

SECTION AREA PROFILE: 0.12 SQ.FT.  
 WIDTH: TOP 1'-1" / BOTTOM 9"  
 HEIGHT: 1'-4" (3 3/8")  
 THK: 3 5/8"+1/2"

LINEAR FT: \_\_\_\_\_ QTY: 4

ITEM # **36** NAME:  
 LINEAR  PIECE  CYLIND.  
 Mold Class: 1 2 3 4 5 6 Special \_\_\_\_\_  
 PLANS: FLOOR: BLIND ARCH AT FRONT  
 RCP: \_\_\_\_\_  
 ELEVATIONS: \_\_\_\_\_  
 DETAILS: A4.21  
 SECTION AREA PROFILE: 0.12 SQ.FT.  
 WIDTH: TOP 1'-1" / BOTTOM 9"  
 HEIGHT: 1'-4" (3 3/8")  
 THK: 3 5/8"+1/2"

SECTION AREA PROFILE: 0.12 SQ.FT.  
 WIDTH: TOP 1'-1" / BOTTOM 9"  
 HEIGHT: 1'-4" (3 3/8")  
 THK: 3 5/8"+1/2"

LINEAR FT: \_\_\_\_\_ QTY: 1