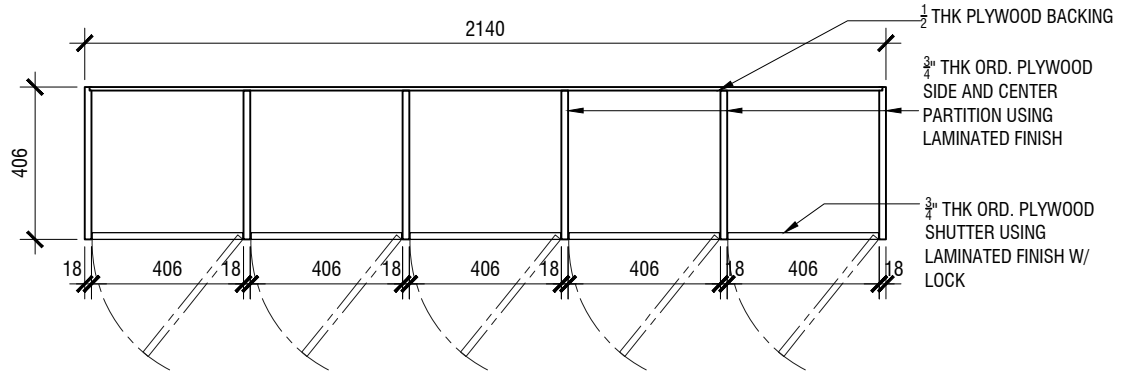
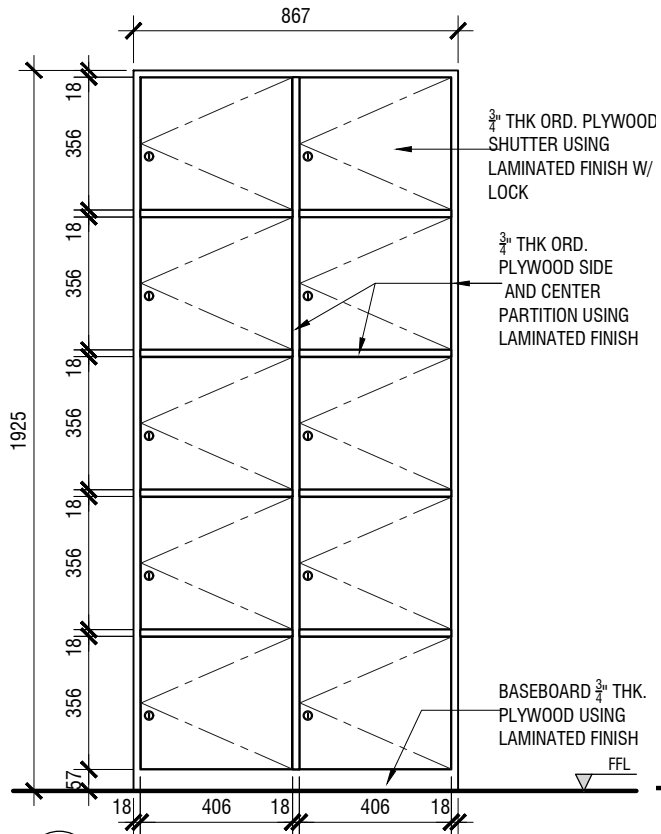


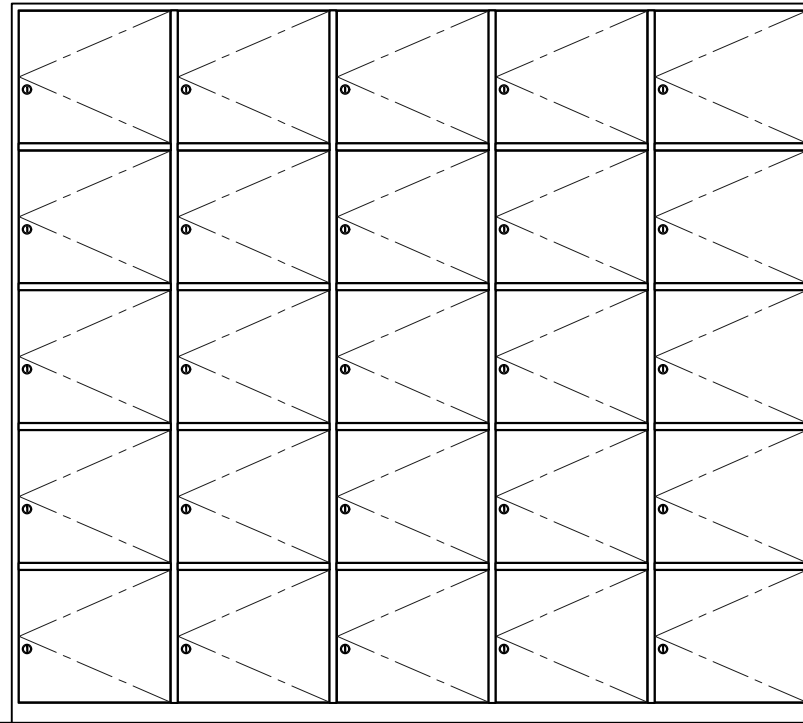
A TOP PLAN
EMPLOYEE'S LOCKER
1:40 @ Ax



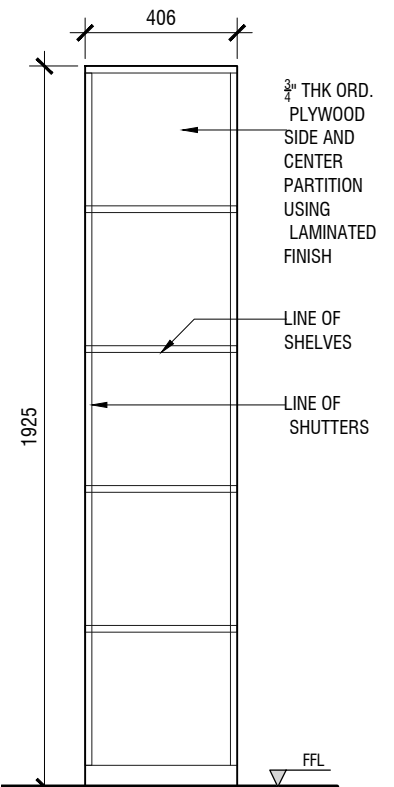
C TOP PLAN
EMPLOYEE'S LOCKER
1:40 @ Ax



B FRONT ELEVATION
EMPLOYEE'S LOCKER
1:40 @ Ax



D FRONT ELEVATION
EMPLOYEE'S LOCKER
1:40 @ Ax



E SIDE ELEVATION
EMPLOYEE'S LOCKER
1:40 @ Ax