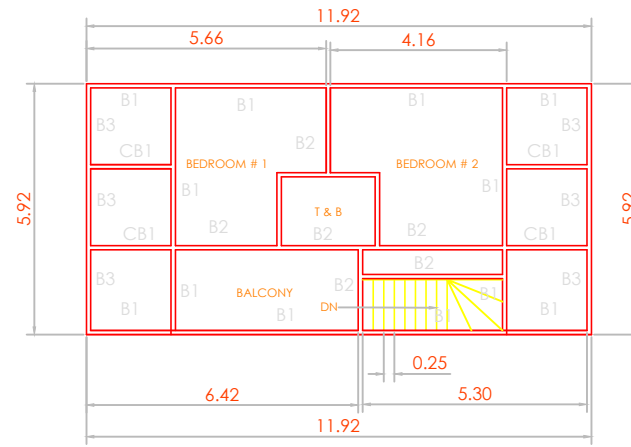
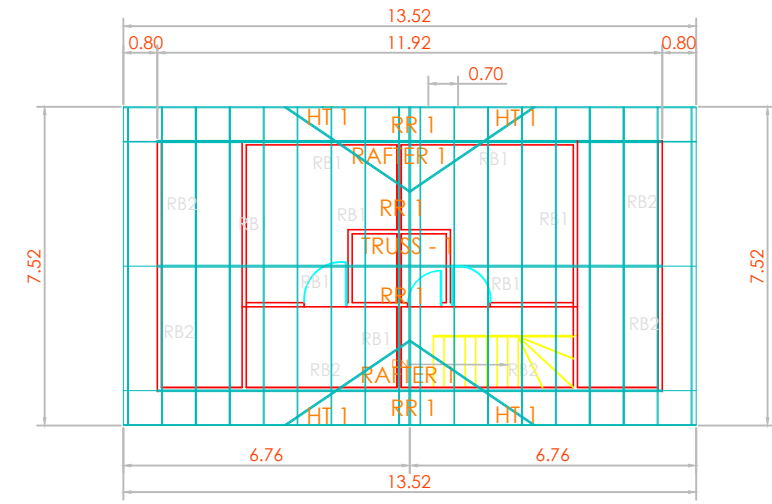


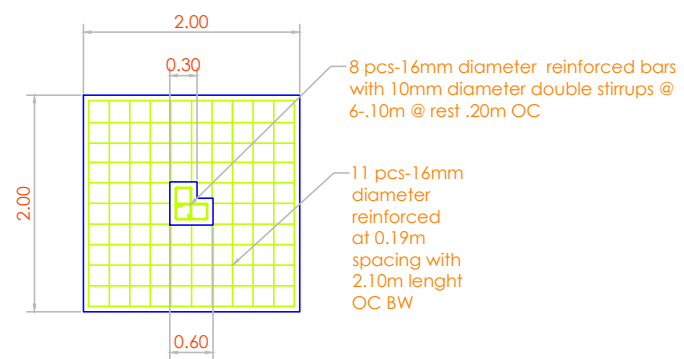
1 FOUNDATION AND WALL FOOTING PLAN
S-1 SCALE 1:100MTS



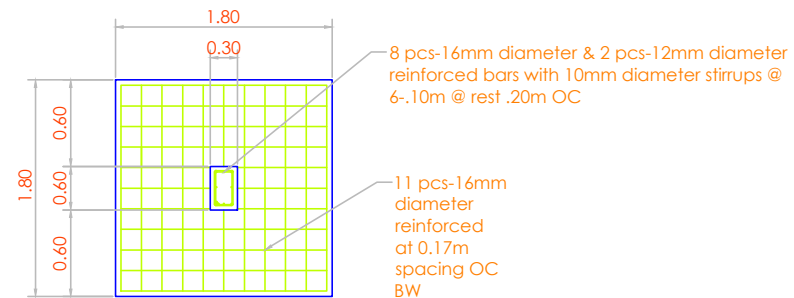
2 SECOND FLOOR FRAMING PLAN
S-1 SCALE 1:100MTS



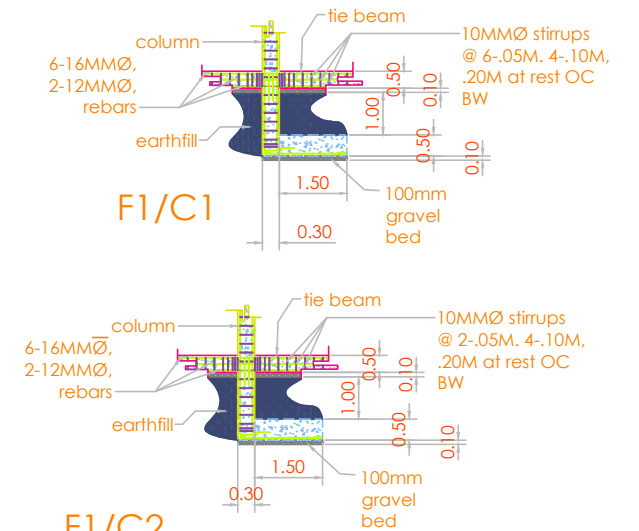
3 ROOF FRAMING PLAN
S-1 SCALE 1:100MTS



C1/F1



C2 / F1



F1/C2

4 DETAILED F1, C1, C2 and C3
S-1 SCALE 1:100MTS

5 DETAILED SECTION OF F1, C1 and C2
S-1 SCALE 1:100MTS

ARCHITECT/ENGINEER ADDRESS: _____ TEL NO.: _____ FAX: _____	REG. NO.:	PROJECT TITLE:	OWNER:	REVISIONS	SHEET CONTENTS:	SHEET NO.
	T.I.N.:	PROPOSED TWO STOREY FARM VACATION HOUSE WITH RICE STORAGE	_____			
	PTR NO.:	BARANGAY ANTIPOLLO, LA CARLOTA, NEGROS OCCIDENTAL			FOUNDATION PLAN SECOND FLOOR FRAMING PLAN ROOF FRAMING PLAN DETAILED OF F1, C1, C2 DETAILED SECTION OF F1, C1, C2	
	DATE ISS'D:					
	PLACE:					