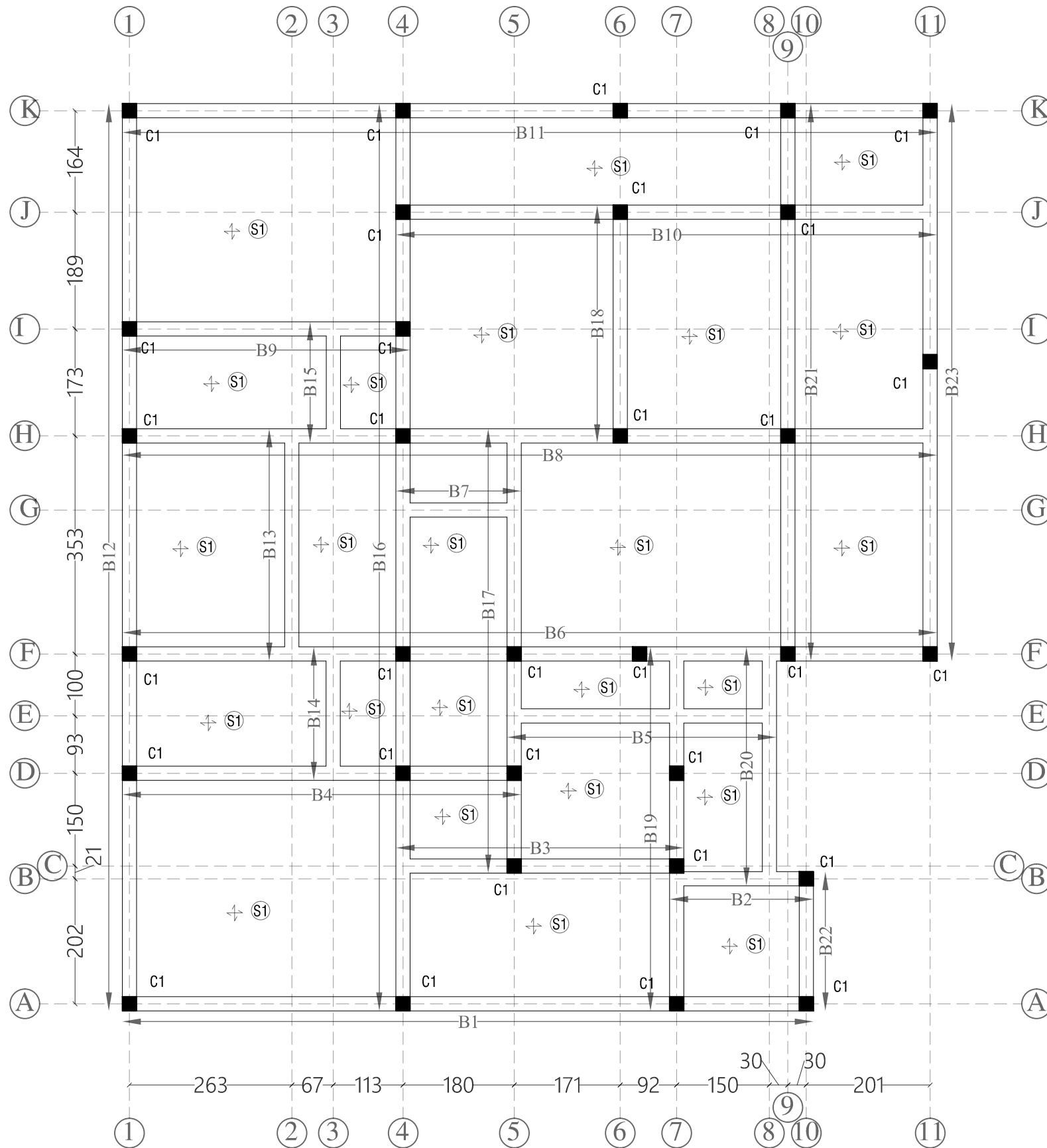


PLINTH BEAM LAYOUT

11		12	
ISSUED FOR			
1. <input type="checkbox"/> APPROVAL		2. <input type="checkbox"/> INFORMATION	
3. <input type="checkbox"/> COMMENTS		4. <input type="checkbox"/> EXECUTION	
PROJECT			
Residential Building			
CLIENT / BUILDER			
22222222222222			
ARCHITECT			
1111111111111111			
STRUCTURAL CONSULTANT			
<b>FECIDEZ FETTL Engineering Pvt. Ltd</b> FECIDEZ - STRUCTURAL & GEOTECHNICAL CONSULTANTS CET TBI, College of Engineering, Trivandrum Phone: 9496370945, 9037501866 E-mail: fecidez@gmail.com Web: www.fettleplc.com			
SYMBOLS			
Symbol for section			
NOTES			
1. This drawing should be read along with our general Notes, Notes in this drawing, Architectural Drawings & Specifications. 2. All dimensions should be checked by the architect and any discrepancy found should be brought to our notice and corrected before execution. 3. All dimensions are in mm unless otherwise specified. 4. Dimensions shall not be measured directly from this drawing, follow only written dimensions. 5. Do not duplicate any part of this drawing without our written permission. 6. Use M25 concrete and Fe 500 grade Steel for Footing. 7. Clear cover to reinforcement for a)Column - 40mm , b)Footing - 50mm 8. Safe Bearing Capacity of soil is as per report geotechnical consultant, which shall be verified at site 9. Building is designed for G +3 Floors only			
* FOR EXECUTION PURPOSE FOLLOW ONLY THE DRAWINGS APPROVED & SIGNED BY THE STRUCTURAL CONSULTANT.			
TITLE			
PLINTH BEAM LAYOUT			
SCALE	DRAWN Sajjal.NTB	CHECKED Rajesh T Vaidyan	
N T S	DESIGN Rajesh	CHECKED Rajesh T Vaidyan	
Dwg NO:	DATE 13-07-2019	DATE OF ISSUE 18-07-2019	JOB NO :
REVISION NOTES			
Rev NO	DATE	DESCRIPTION	

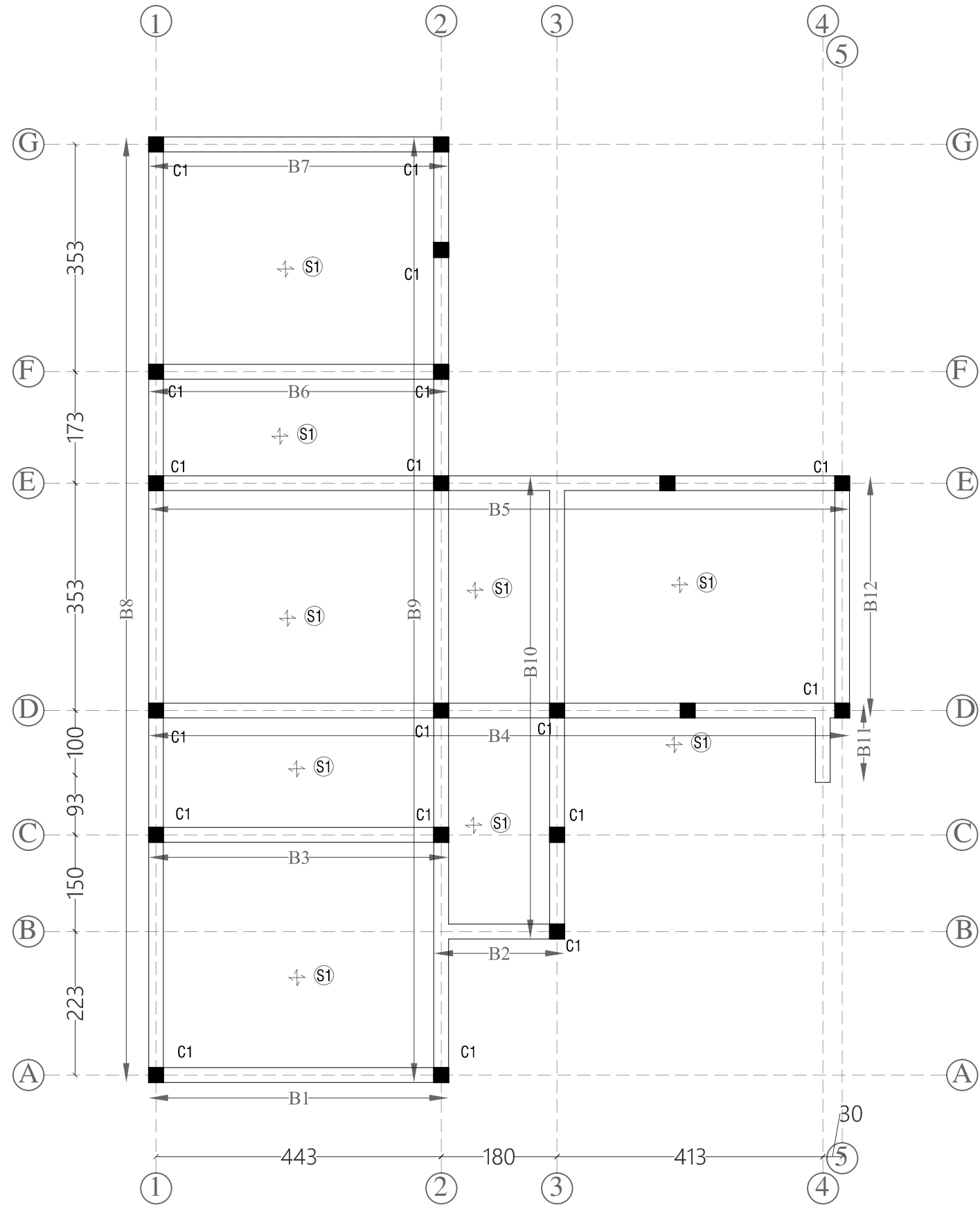
SHEET NO 7



**GROUND FLOOR BEAM LAYOUT**


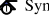
SHEET NO  
2  
7

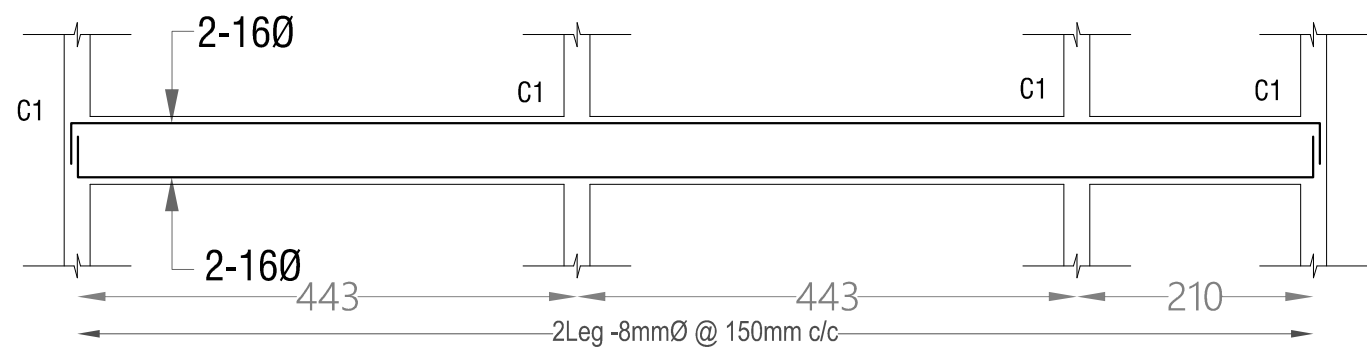
11		12	
ISSUED FOR			
1. <input type="checkbox"/> APPROVAL		2. <input type="checkbox"/> INFORMATION	
3. <input type="checkbox"/> COMMENTS		4. <input type="checkbox"/> EXECUTION	
PROJECT			
Residential Building			
CLIENT / BUILDER			
222222222222			
ARCHITECT			
111111111111			
STRUCTURAL CONSULTANT			
<b>FECIDEZ FETTLER Engineering Pvt. Ltd</b> FECIDEZ- STRUCTURAL & GEOTECHNICAL Consultants CET TBL College of Engineering , Trivandrum Phone: 9496370945, 9037501866 E-mail : fecidez@gmail.com Web: www.fettleplc.com			
SYMBOLS			
Symbol for section			
NOTES			
1. This drawing should be read along with our general Notes, Notes in this drawing, Architectural Drawings & Specifications. 2. All dimensions should be checked by the architect and any discrepancy found should be brought to our notice and corrected before execution. 3. All dimensions are in mm unless otherwise specified. 4. Dimensions shall not be measured directly from this drawing, follow only written dimensions. 5. Do not duplicate any part of this drawing without our written permission. 6. Use M25 concrete and Fe 500 grade Steel for Footing. 7. Clear cover to reinforcement for a) Column - 40mm , b) Footing - 50mm 8. Safe Bearing Capacity of soil is as per report geotechnical consultant, which shall be verified at site 9. Building is designed for G +3 Floors only			
* FOR EXECUTION PURPOSE FOLLOW ONLY THE DRAWINGS APPROVED & SIGNED BY THE STRUCTURAL CONSULTANT.			
TITLE			
<b>GROUND FLOOR BEAM LAYOUT</b>			
SCALE	DRAWN Saijai.NTB	CHECKED Rajesh T Vaidyan	
N T S	DESIGN Rajesh	CHECKED Rajesh T Vaidyan	
Dwg NO:	DATE	DATE OF ISSUE	JOB NO :
2	13-07-2019	18-07-2019	
REVISION NOTES			
Rev NO	DATE	DESCRIPTION	



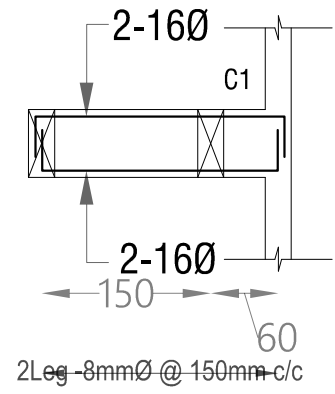
**FIRST FLOOR ROOF BEAM LAYOUT**

SHEET NO 3/7

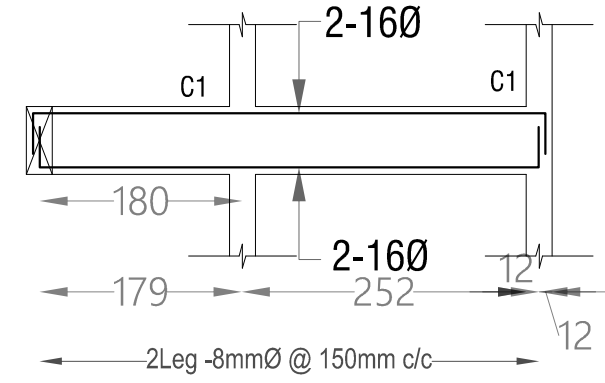
11	12	ISSUED FOR	
1. <input type="checkbox"/> APPROVAL	2. <input type="checkbox"/> INFORMATION		
3. <input type="checkbox"/> COMMENTS	4. <input type="checkbox"/> EXECUTION		
PROJECT			
Residential Building			
CLIENT / BUILDER			
22222222222222			
ARCHITECT			
11111111111111			
STRUCTURAL CONSULTANT			
 <b>FETTL ENGINEERING PVT. LTD</b> FETTL ENGINEERING & GEOTECHNICAL CONSULTANTS CET TBL College of Engineering, Trivandrum Phone: 9496370945, 9037501866 E-mail: fettleng@gmail.com Web: www.fettlepc.com			
SYMBOLS			
 Symbol for section			
NOTES			
1. This drawing should be read along with our general Notes, Notes in this drawing, Architectural Drawings & Specifications. 2. All dimensions should be checked by the architect and any discrepancy found should be brought to our notice and corrected before execution. 3. All dimensions are in mm unless otherwise specified. 4. Dimensions shall not be measured directly from this drawing, follow only written dimensions. 5. Do not duplicate any part of this drawing without our written permission 6. Use M25 concrete and Fe 500 grade Steel for Footing. 7. Clear cover to reinforcement for a)Column - 40mm , b)Footing - 50mm 8. Safe Bearing Capacity of soil is as per report geotechnical consultant, which shall be verified at site 9. Building is designed for G+3 Floors only			
* FOR EXECUTION PURPOSE FOLLOW ONLY THE DRAWINGS APPROVED & SIGNED BY THE STRUCTURAL CONSULTANT.			
TITLE			
<b>FIRST FLOOR ROOF BEAM LAYOUT</b>			
SCALE	DRAWN	CHECKED	
	Saijai.NTB	Rajesh T Vaidyan	
N T S	DESIGN	CHECKED	
	Rajesh	Rajesh T Vaidyan	
Dwg NO:	DATE	DATE OF ISSUE	JOB NO :
3	13-07-2019	18-07-2019	
REVISION NOTES			
Rev NO	DATE	DESCRIPTION	



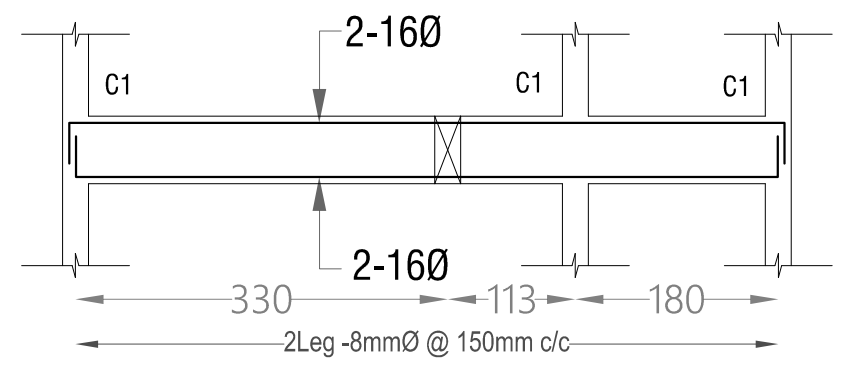
Beam B1 (230x350)



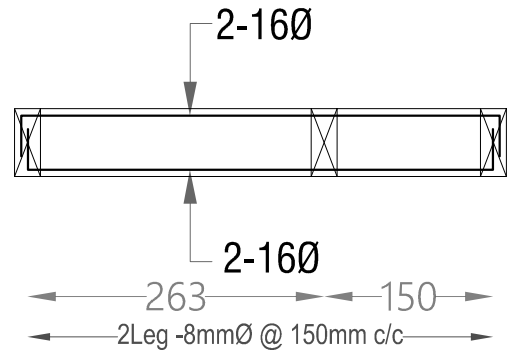
Beam B2 (230x350)



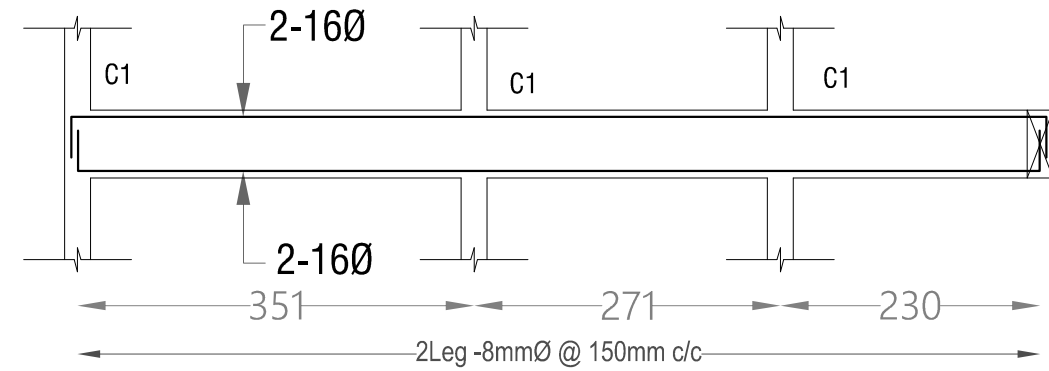
Beam B3 (230x350)



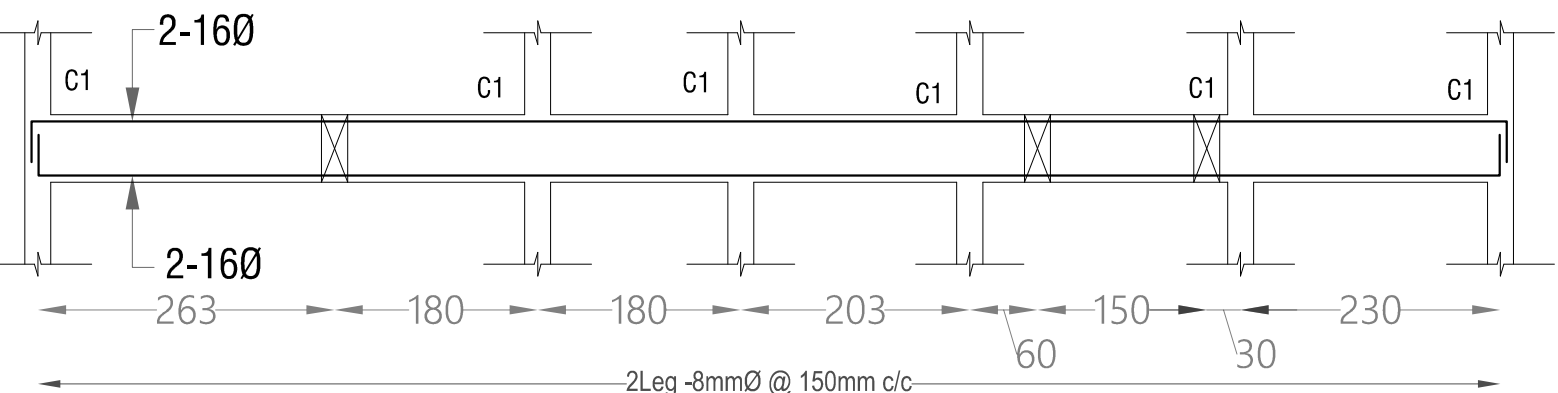
Beam B4 (230x350)



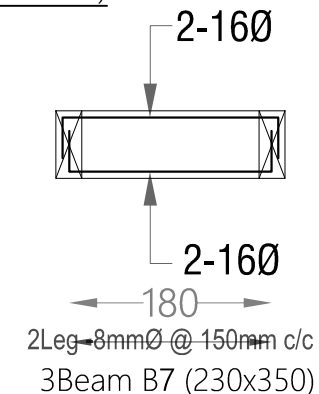
Beam B5 (230x350)



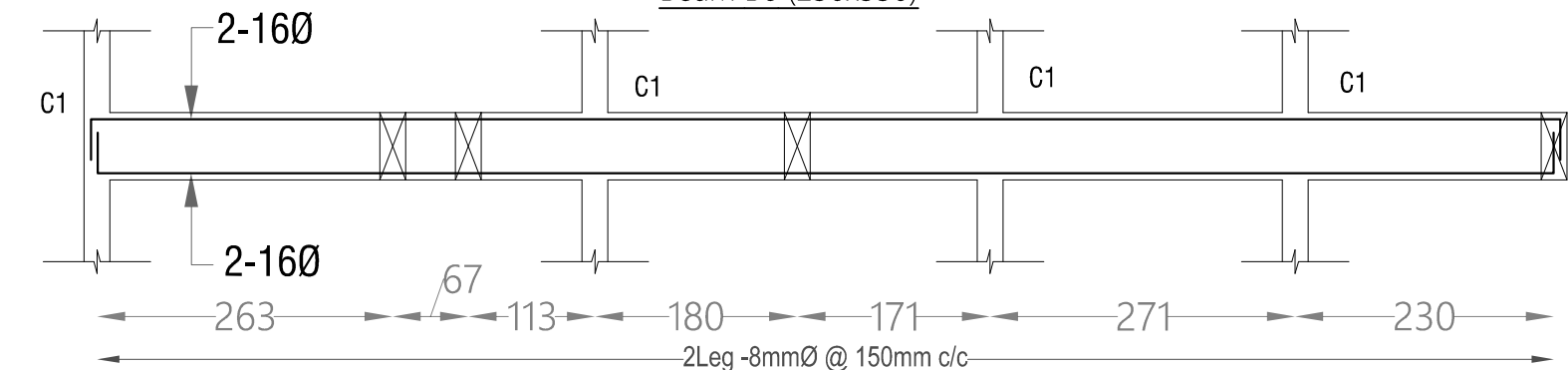
Beam B10 (230x350)



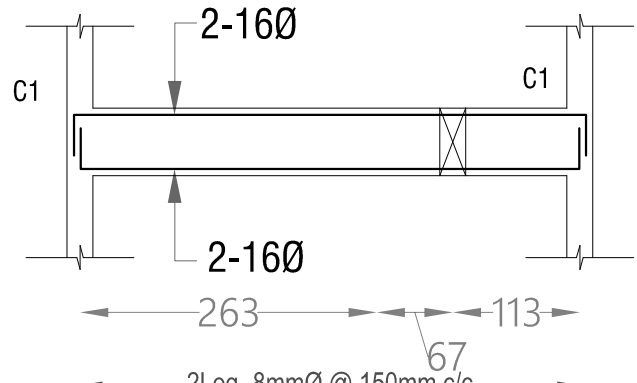
Beam B6 (230x350)



Beam B7 (230x350)



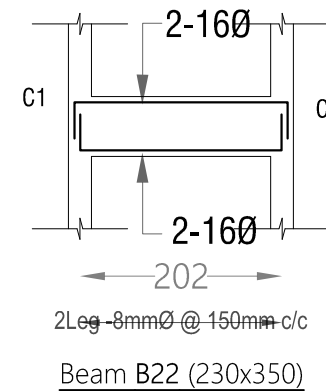
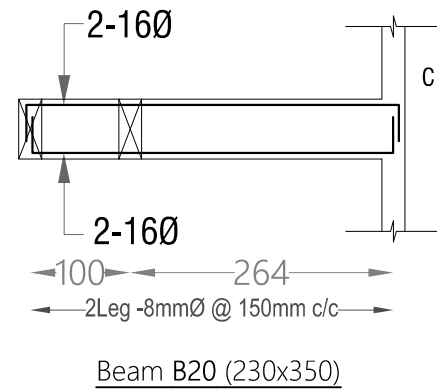
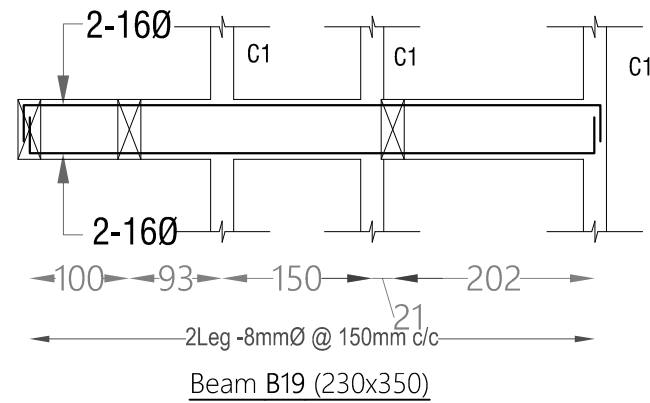
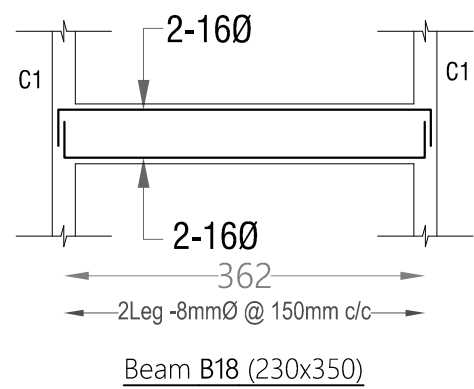
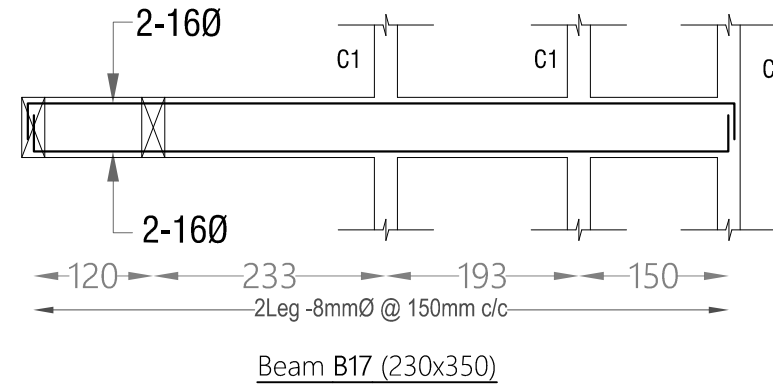
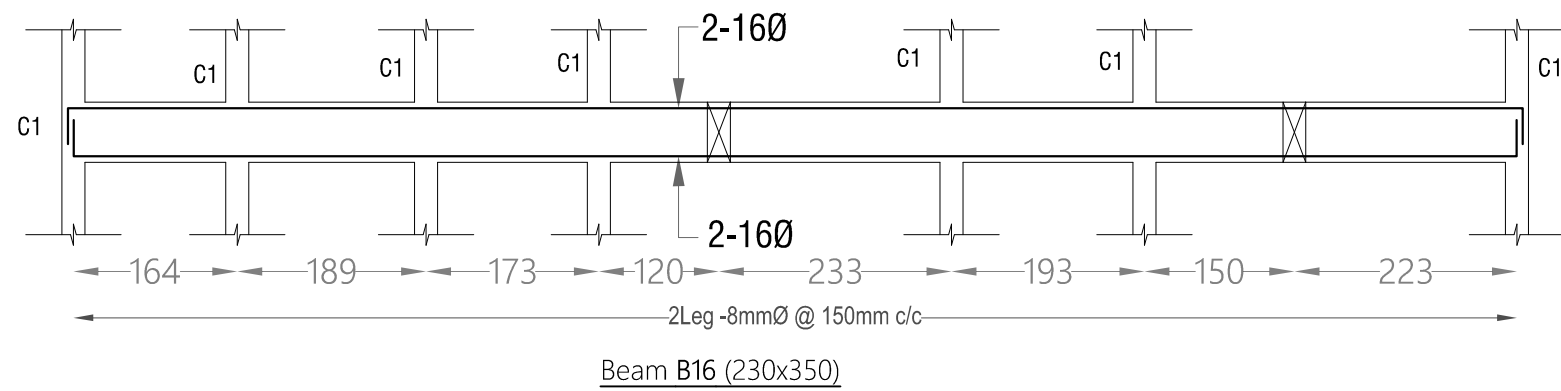
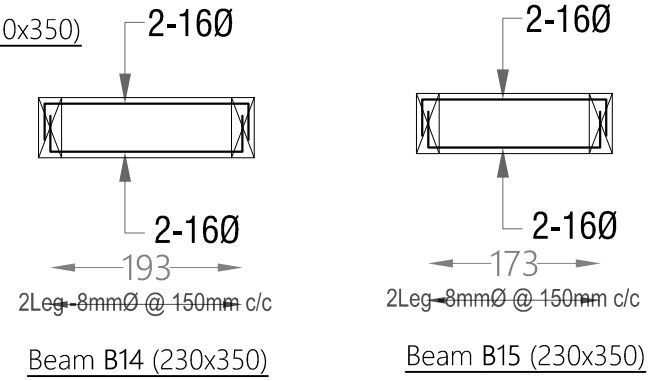
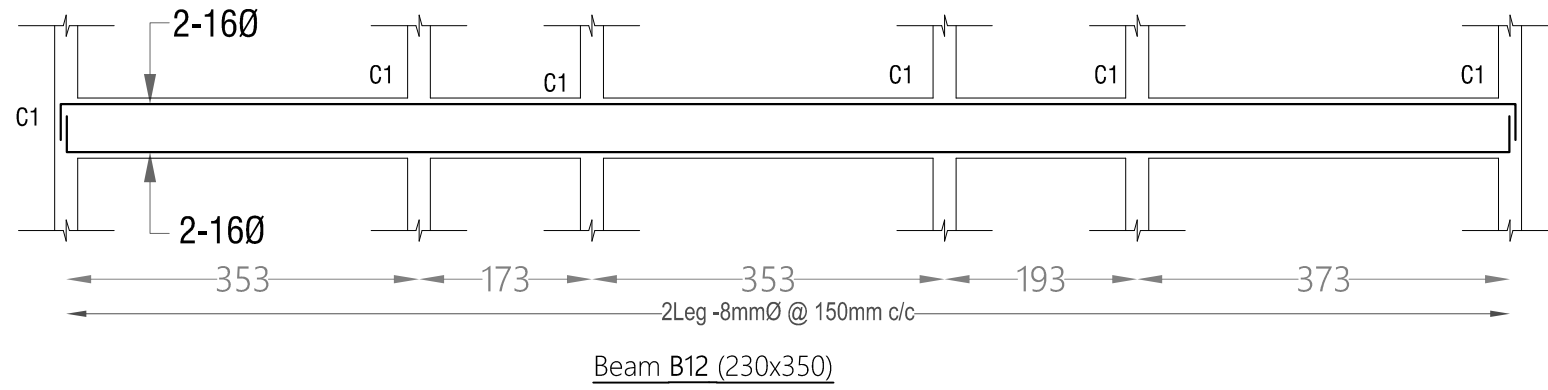
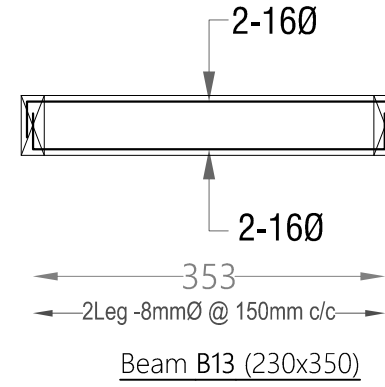
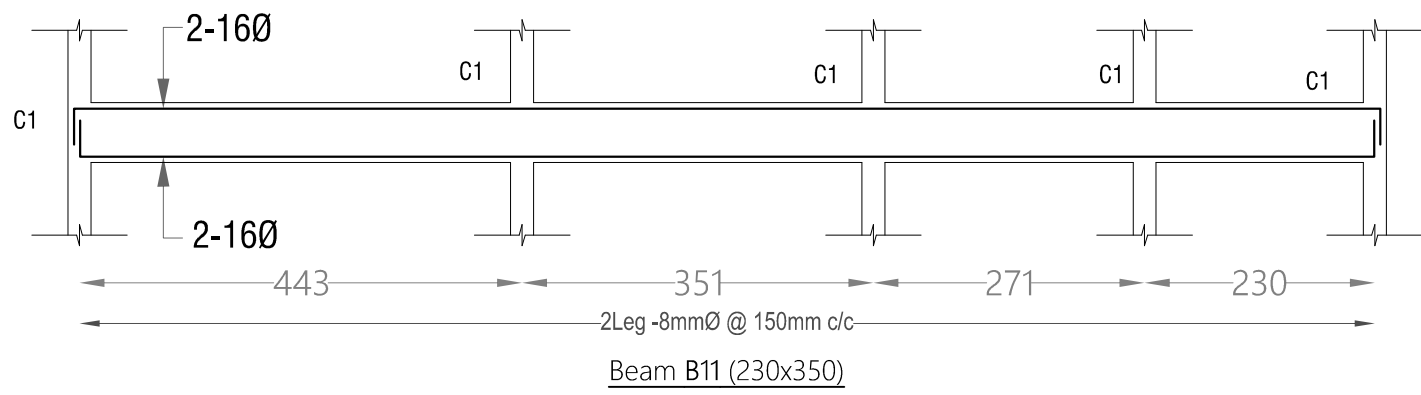
Beam B8 (230x350)



Beam B9 (230x350)

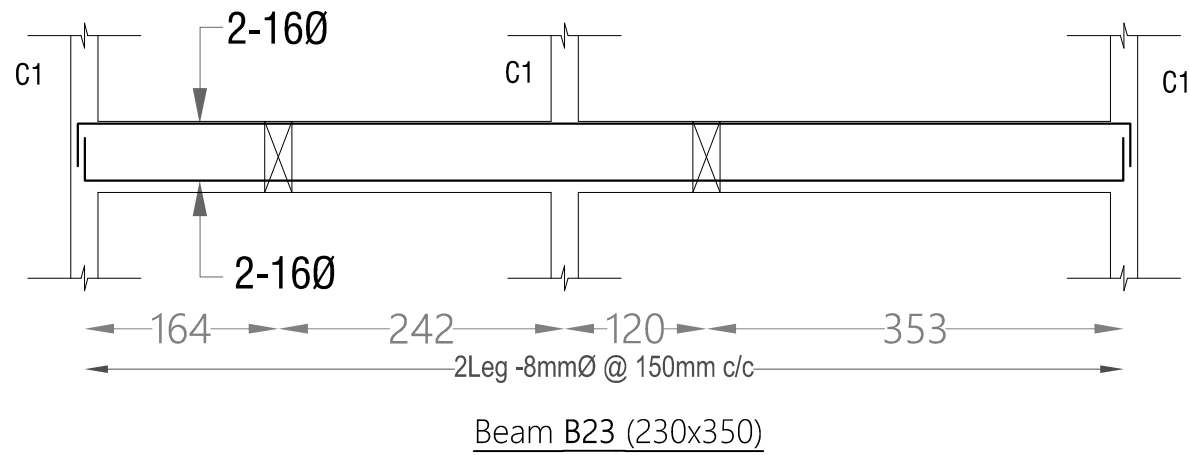
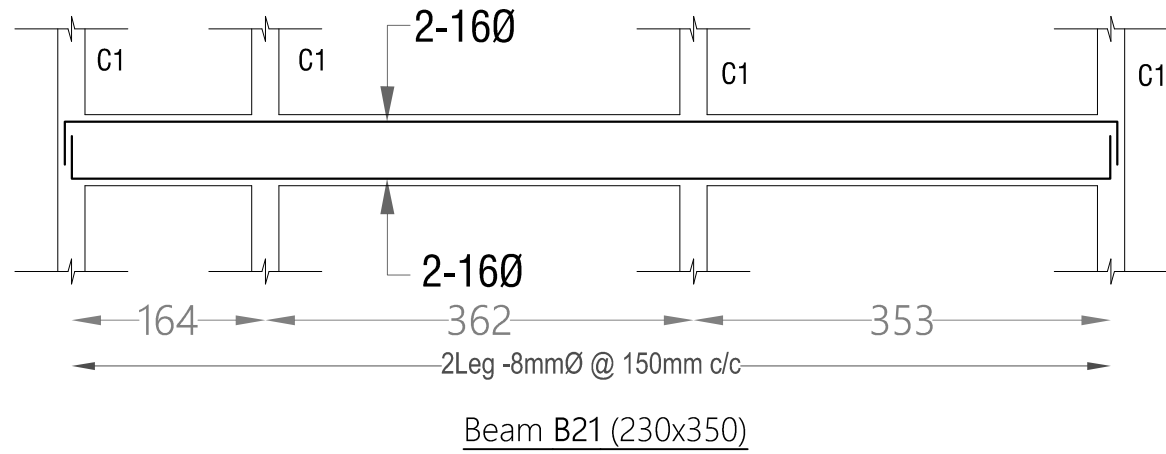
11	12
ISSUED FOR	
1. <input type="checkbox"/> APPROVAL	2. <input type="checkbox"/> INFORMATION
3. <input type="checkbox"/> COMMENTS	4. <input type="checkbox"/> EXECUTION
PROJECT	
Residential Building	
CLIENT / BUILDER	
22222222222222	
ARCHITECT	
11111111111111	
STRUCTURAL CONSULTANT	
<b>FECIDIZ FETTL Engineering Pvt. Ltd</b> FECIDIZ - STRUCTURAL & GEOTECHNICAL Consultants CET TBL College of Engineering, Trivandrum Phone: 9496370945, 9037501866 E-mail: fecidez@gmail.com Web: www.fettlpc.com	
SYMBOLS	
⤵ Symbol for section	
NOTES	
1. This drawing should be read along with our general Notes, Notes in this drawing, Architectural Drawings & Specifications. 2. All dimensions should be checked by the architect and any discrepancy found should be brought to our notice and corrected before execution. 3. All dimensions are in mm unless otherwise specified. 4. Dimensions shall not be measured directly from this drawing, follow only written dimensions. 5. Do not duplicate any part of this drawing without our written permission. 6. Use M25 concrete and Fe 500 grade Steel for Footing. 7. Clear cover to reinforcement for a) Column - 40mm, b) Footing - 50mm 8. Safe Bearing Capacity of soil is as per report geotechnical consultant, which shall be verified at site 9. Building is designed for G+3 Floors only	
* FOR EXECUTION PURPOSE FOLLOW ONLY THE DRAWINGS APPROVED & SIGNED BY THE STRUCTURAL CONSULTANT.	
TITLE	
GROUND FLOOR BEAM DETAILS	
SCALE	DRAWN: Sajjai.NTB DESIGN: Rajesh
N T S	CHECKED: Rajesh T Vaidyan CHECKED: Rajesh T Vaidyan
Dwg NO:	DATE: 13-07-2019
4	DATE OF ISSUE: 18-07-2019
JOB NO:	
REVISION NOTES	
Rev NO	DATE
	DESCRIPTION

SHEET NO 4/7



11	12
ISSUED FOR	
1. <input type="checkbox"/> APPROVAL	2. <input type="checkbox"/> INFORMATION
3. <input type="checkbox"/> COMMENTS	4. <input type="checkbox"/> EXECUTION
PROJECT	
Residential Building	
CLIENT / BUILDER	
22222222222222	
ARCHITECT	
11111111111111	
STRUCTURAL CONSULTANT	
<b>FECIDEZ FETTL Engineering Pvt. Ltd</b> FECIDEZ- STRUCTURAL & GEOTECHNICAL CONSULTANTS CET TBL College of Engineering , Trivandrum Phone: 9496370945, 9037501866 E-mail : fecidez@gmail.com Web: www.fettleplc.com	
SYMBOLS	
Symbol for section	
NOTES	
1. This drawing should be read along with our general Notes, Notes in this drawing, Architectural Drawings & Specifications. 2. All dimensions should be checked by the architect and any discrepancy found should be brought to our notice and corrected before execution. 3. All dimensions are in mm unless otherwise specified. 4. Dimensions shall not be measured directly from this drawing, follow only written dimensions. 5. Do not duplicate any part of this drawing without our written permission. 6. Use M25 concrete and Fe 500 grade Steel for Footing. 7. Clear cover to reinforcement for a) Column - 40mm , b) Footing - 50mm 8. Safe Bearing Capacity of soil is as per report geotechnical consultant, which shall be verified at site 9. Building is designed for G +3 Floors only	
* FOR EXECUTION PURPOSE FOLLOW ONLY THE DRAWINGS APPROVED & SIGNED BY THE STRUCTURAL CONSULTANT.	
TITLE	
GROUND FLOOR BEAM DETAILS	
SCALE	DRAWN Sajjai.NTB DESIGN Rajesh
N T S	CHECKED Rajesh T Vaidyan CHECKED Rajesh T Vaidyan
Dwg NO:	DATE
5	13-07-2019
DATE OF ISSUE	JOB NO :
18-07-2019	
REVISION NOTES	
Rev NO	DESCRIPTION

SHEET NO 5/7



11	12
ISSUED FOR	
1. <input type="checkbox"/> APPROVAL	2. <input type="checkbox"/> INFORMATION
3. <input type="checkbox"/> COMMENTS	4. <input type="checkbox"/> EXECUTION

PROJECT
Residential Building
CLIENT / BUILDER
22222222222222
ARCHITECT
1111111111111111
STRUCTURAL CONSULTANT
<b>FECIDEZ FETTL Engineering Pvt. Ltd</b> FECIDEZ- STRUCTURAL & GEOTECHNICAL Consultants CET TBL College of Engineering , Trivandrum Phone: 9496370945, 9037501866 E-mail : fecidez@gmail.com Web: www.fettleplc.com

SYMBOLS
☞ Symbol for section

- NOTES
- This drawing should be read along with our general Notes, Notes in this drawing, Architectural Drawings & Specifications.
  - All dimensions should be checked by the architect and any discrepancy found should be brought to our notice and corrected before execution.
  - All dimensions are in mm unless otherwise specified.
  - Dimensions shall not be measured directly from this drawing, follow only written dimensions.
  - Do not duplicate any part of this drawing without our written permission
  - Use M25 concrete and Fe 500 grade Steel for Footing.
  - Clear cover to reinforcement for  
a)Column - 40mm , b)Footing - 50mm
  - Safe Bearing Capacity of soil is as per report geotechnical consultant, which shall be verified at site
  - Building is designed for G +3 Floors only
- \* FOR EXECUTION PURPOSE FOLLOW ONLY THE DRAWINGS APPROVED & SIGNED BY THE STRUCTURAL CONSULTANT.

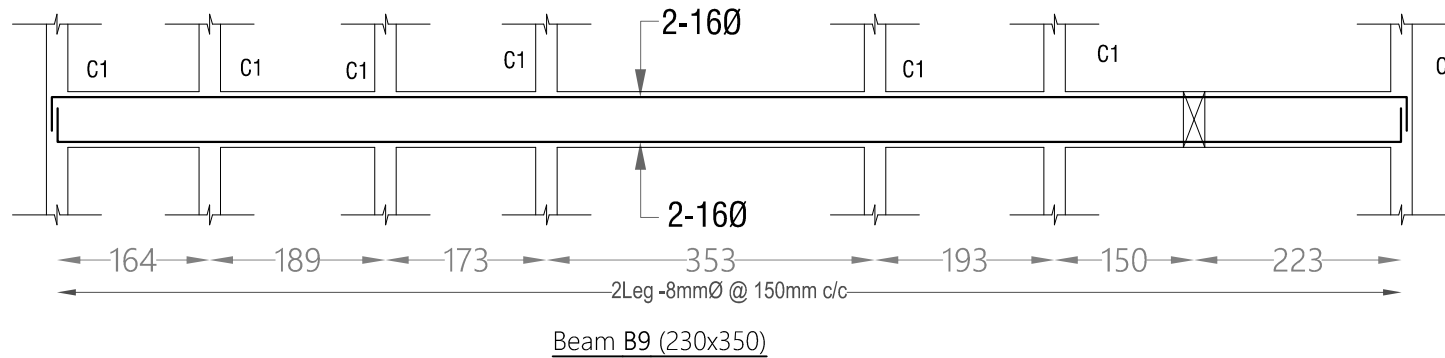
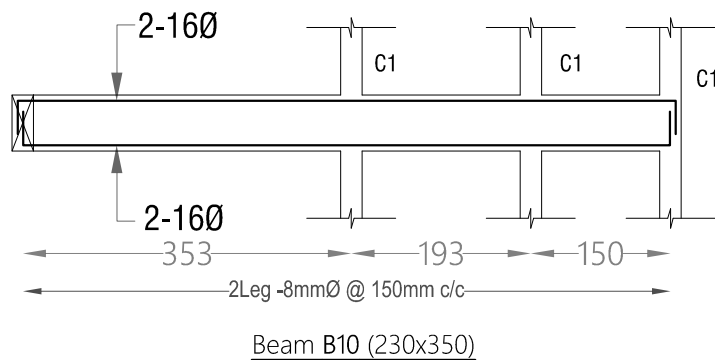
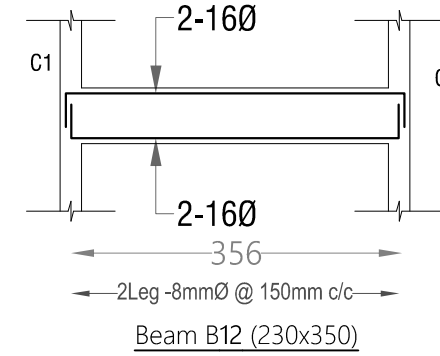
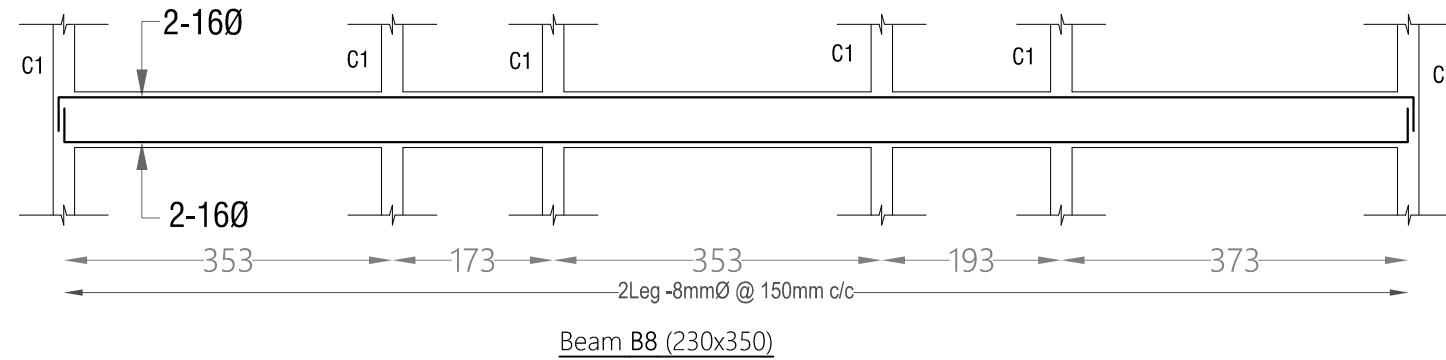
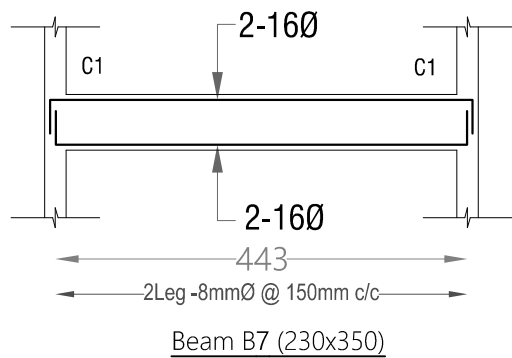
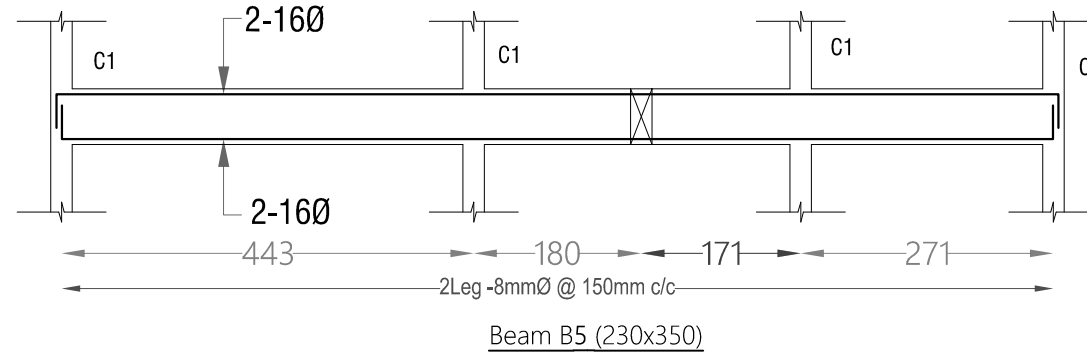
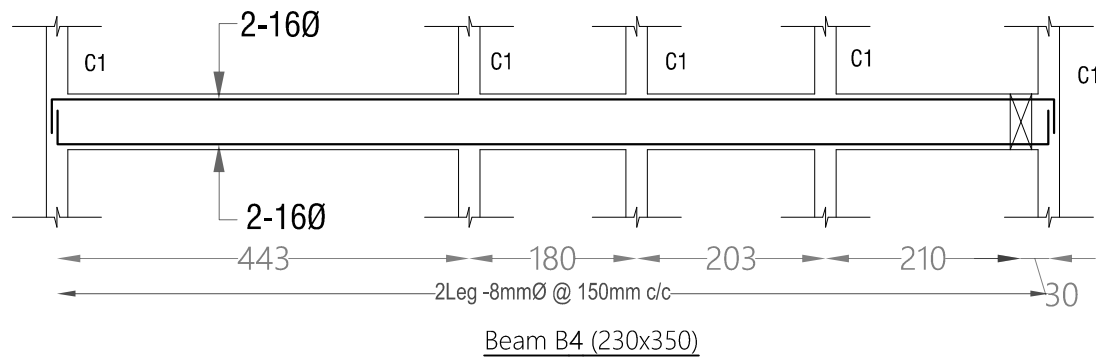
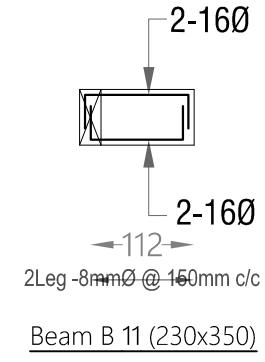
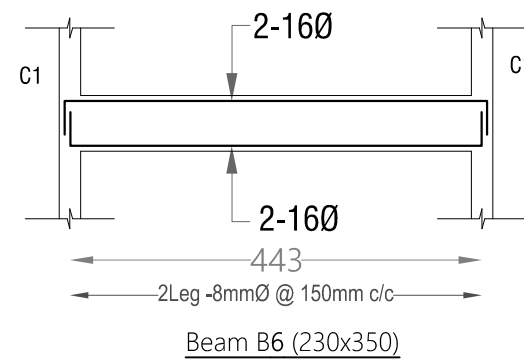
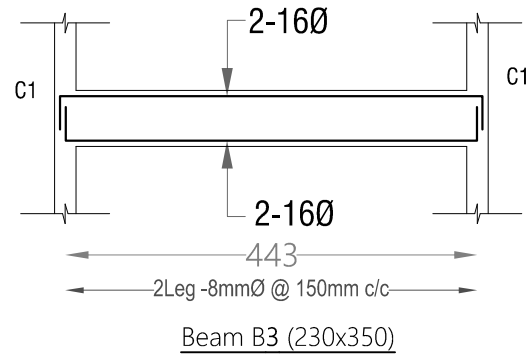
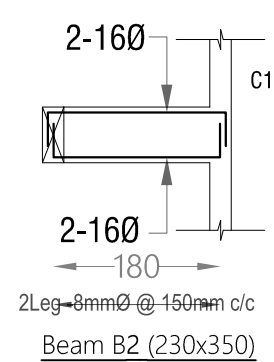
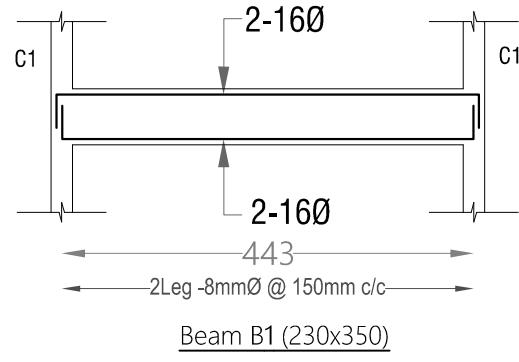
TITLE

**GROUND FLOOR BEAM DETAILS**

SCALE	DRAWN Saijai.NTB	CHECKED Rajesh T Vaidyan
DESIGN	Rajesh	CHECKED Rajesh T Vaidyan
Dwg NO:	DATE	DATE OF ISSUE
6	13-07-2019	18-07-2019

REVISION NOTES		
Rev NO	DATE	DESCRIPTION

SHEET NO  
6/7



11	12
ISSUED FOR	
1. <input type="checkbox"/> APPROVAL	2. <input type="checkbox"/> INFORMATION
3. <input type="checkbox"/> COMMENTS	4. <input type="checkbox"/> EXECUTION
PROJECT	
Residential Building	
CLIENT / BUILDER	
22222222222222	
ARCHITECT	
11111111111111	
STRUCTURAL CONSULTANT	
<b>FECIDEZ FETTLER Engineering Pvt. Ltd</b> FECIDEZ- STRUCTURAL & GEOTECHNICAL Consultants CET TBL College of Engineering , Trivandrum Phone: 9496370945, 9037501866 E-mail : fecidez@gmail.com Web: www.fettleplc.com	
SYMBOLS	
☞ Symbol for section	
NOTES	
1. This drawing should be read along with our general Notes, Notes in this drawing, Architectural Drawings & Specifications. 2. All dimensions should be checked by the architect and any discrepancy found should be brought to our notice and corrected before execution. 3. All dimensions are in mm unless otherwise specified. 4. Dimensions shall not be measured directly from this drawing, follow only written dimensions. 5. Do not duplicate any part of this drawing without our written permission. 6. Use M25 concrete and Fe 500 grade Steel for Footing. 7. Clear cover to reinforcement for a)Column - 40mm , b)Footing - 50mm 8. Safe Bearing Capacity of soil is as per report geotechnical consultant, which shall be verified at site 9. Building is designed for G +3 Floors only	
* FOR EXECUTION PURPOSE FOLLOW ONLY THE DRAWINGS APPROVED & SIGNED BY THE STRUCTURAL CONSULTANT.	
TITLE	
FIRST FLOOR ROOF BEAM DETAILS	
SCALE	DRAWN Sajjai.NTB DESIGN Rajesh
N T S	CHECKED Rajesh T Vaidyan CHECKED Rajesh T Vaidyan
Dwg NO:	DATE
7	13-07-2019
DATE OF ISSUE	JOB NO :
18-07-2019	
REVISION NOTES	
Rev NO	DESCRIPTION

SHEET NO 7